



Basin Riser

Product Specifications

MAINLINE®

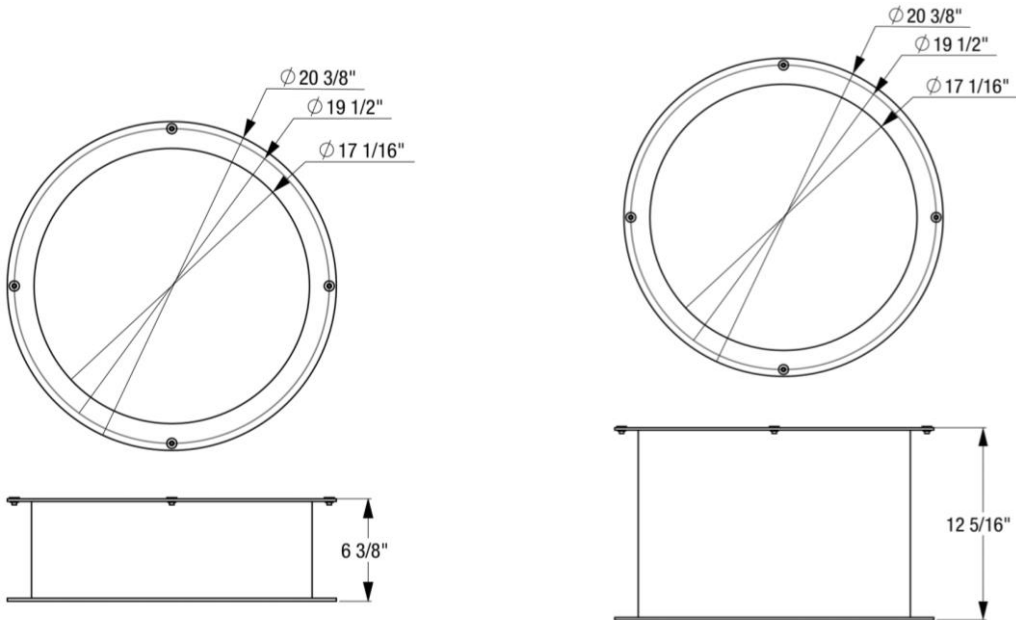
FEATURES

- For use with MLP73015 pre-assembled simplex sewage pump kits (sold separately)
- 18" x 6"
- Polyethylene Construction
- Max Temperature Rating: 120° F (49° C)



MLP79294 Pictured Above

✓ To Submit	Part #	Description
	MLP79294	6" Basin Riser
	MLP79295	12" Basin Riser



Warranty

See warranty information for more details.

All dimensions listed are nominal. MAINLINE® reserves the right to make product and material changes at any time without notice.



Contact your sales representative for more information or visit our website at mainlinecollection.com