

Freestanding Tub

LUXART® *AltaBella*

Product Specifications

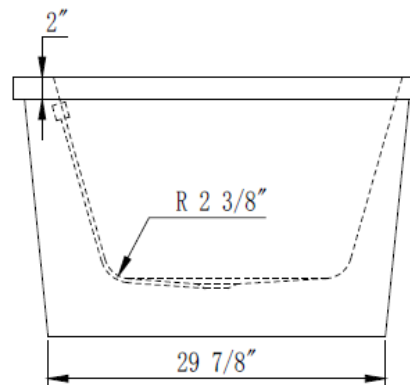
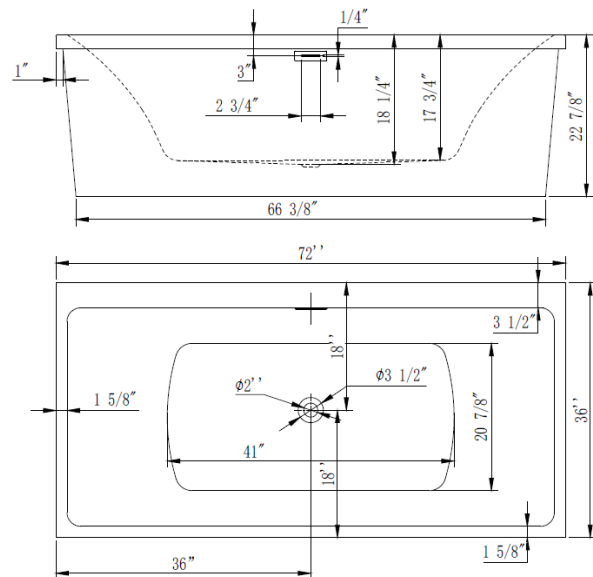
LUXART®
ZINZINI
ZINZINI7236

Luxart® ALTABELLA tubs are made from vacuum-formed acrylic sheets and have a deep, durable color layer. These versatile tubs are strong and lightweight, serving as the centerpiece of your bathroom. Pour into an AltaBella bath and enjoy a generous, deep soak like no other.



TECHINCAL SPECIFICATIONS

Height	22-7/8 in
Width	36 in
Depth	18-1/4 in
Length	72 in
Weight	143.30 pounds
Shipping Weight	167.52 pounds
Capacity (full)	110 Gallons
Capacity (to overflow)	92 Gallons
Drain	Centered Offset
Overflow	Integrated
Faucet Type	Wall, Floor or Deck Mount



APPLICABLE STANDARDS/CODES

Specified model meets or exceeds the following:

- CSA B45.5-11/IAPMO Z124

Warranty

See warranty information for more details.

All dimensions listed are nominal. LUXART® reserves the right to make product and material changes at any time without notice.



Contact your sales representative for more information or visit our website at luxartcollection.com

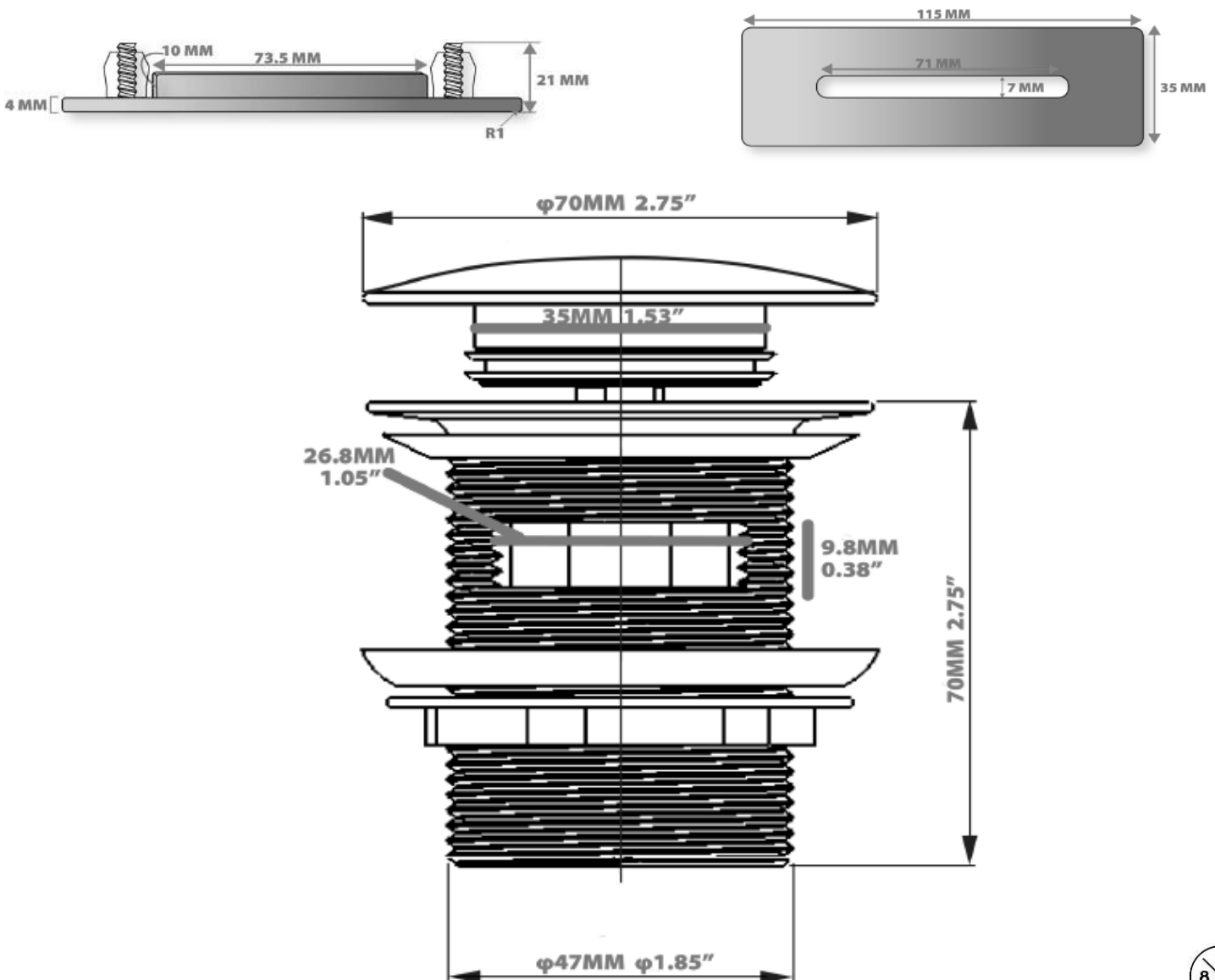
Freestanding Tub

LUXART® *Alta Bella*

Product Specifications

TECHINCAL SPECIFICATIONS

Metal overflow drain cover. Integral bathtub drain assembly with integral overflow holes. Metal pop-up drain cover. Drain cover is interchangeable with different finish colors, purchased separately. Made of brass and metal components.



Contact your sales representative for more information or visit our website at luxartcollection.com