

# Freestanding Tub

LUXART® *AltaBella*

## Product Specifications

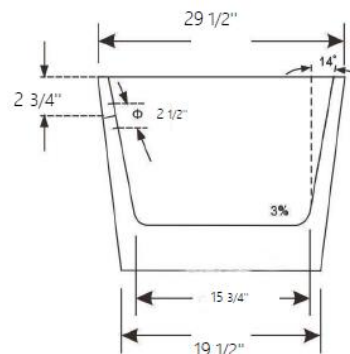
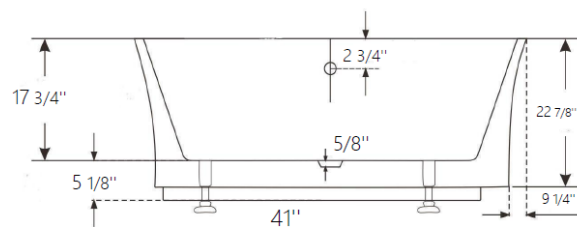
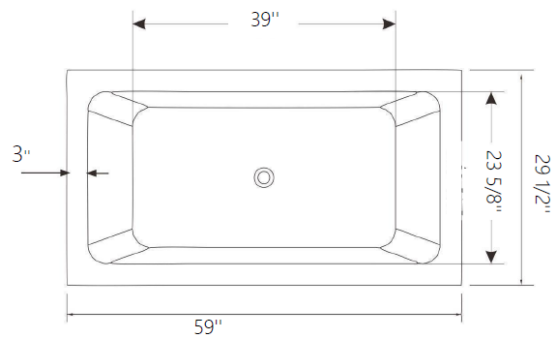
LUXART®  
**ZALATO**  
**ZALATO6030**

Luxart® ALTABELLA tubs are made from vacuum-formed acrylic sheets and have a deep, durable color layer. These versatile tubs are strong and lightweight, serving as the centerpiece of your bathroom. Pour into an AltaBella bath and enjoy a generous, deep soak like no other.



## TECHNICAL SPECIFICATIONS

Height	22-7/8 in
Width	29-1/2 in
Depth	17-3/4 in
Length	59 in
Weight	78 pounds
Shipping Weight	100.33 pounds
Capacity (full)	71 Gallons
Capacity (to overflow)	61 Gallons
Drain	Center
Overflow	Integrated
Faucet Type	Wall, Floor or Deck Mount



## APPLICABLE STANDARDS/CODES

Specified model meets or exceeds the following:

- CSA B45.5-11/IAPMO Z124

## Warranty

See warranty information for more details.

All dimensions listed are nominal. LUXART® reserves the right to make product and material changes at any time without notice.



Contact your sales representative for more information or visit our website at [luxartcollection.com](http://luxartcollection.com)

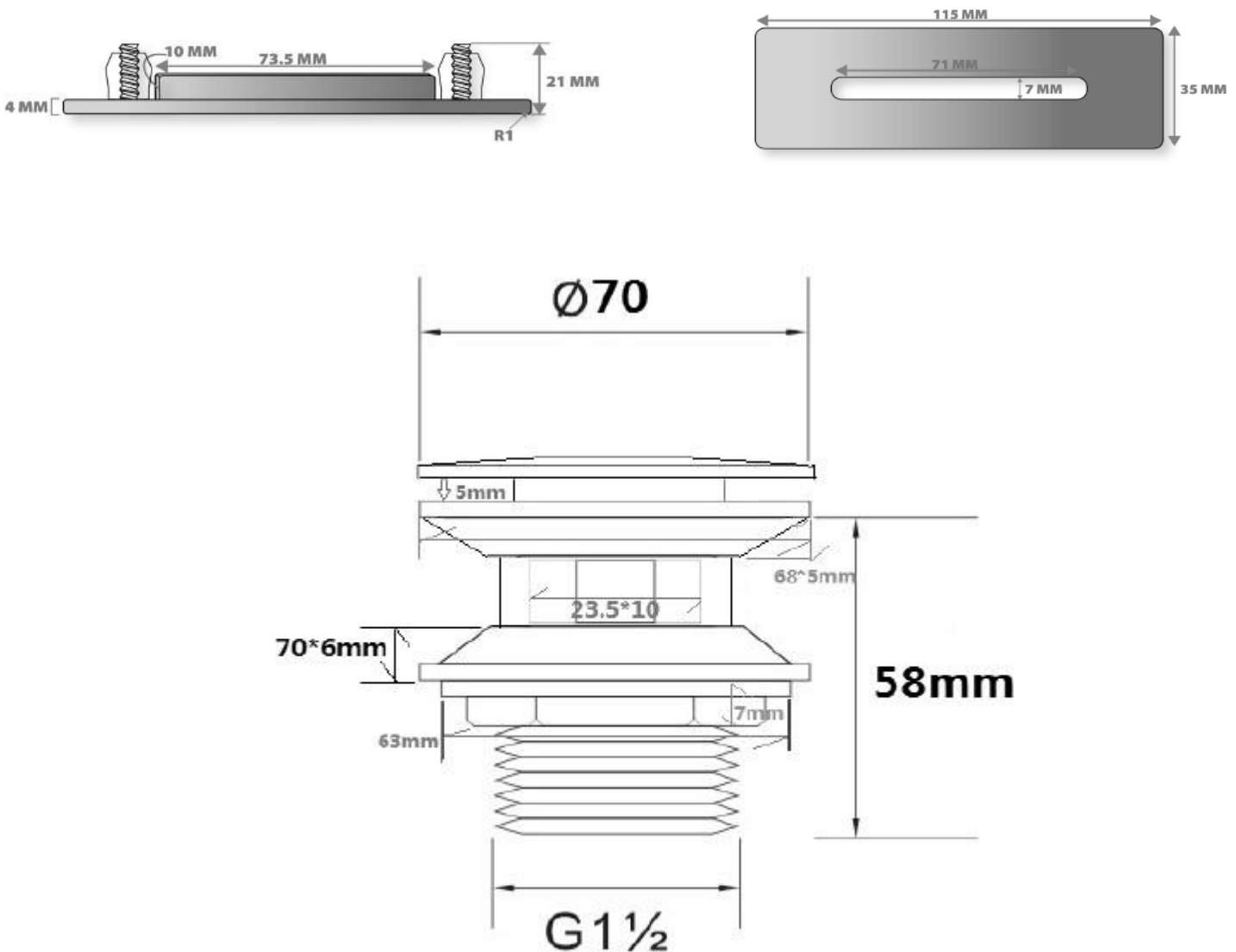
# Freestanding Tub

LUXART® *Alta Bella*

## Product Specifications

### TECHINCAL SPECIFICATIONS

Metal overflow drain cover. Integral bathtub drain assembly with integral overflow holes. Metal pop-up drain cover. Drain cover is interchangeable with different finish colors, purchased separately. Made of brass and metal components.



Contact your sales representative for more information or visit our website at [luxartcollection.com](http://luxartcollection.com)