

# Freestanding Tub

LUXART® *AltaBella*

## Product Specifications

### LUXART® **PINEHURST®**

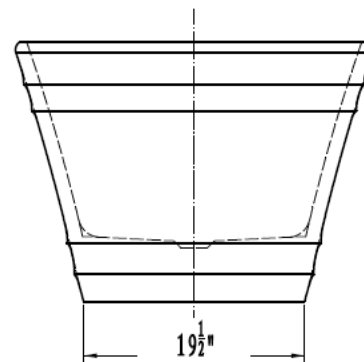
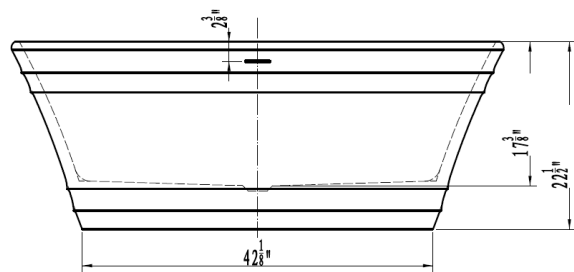
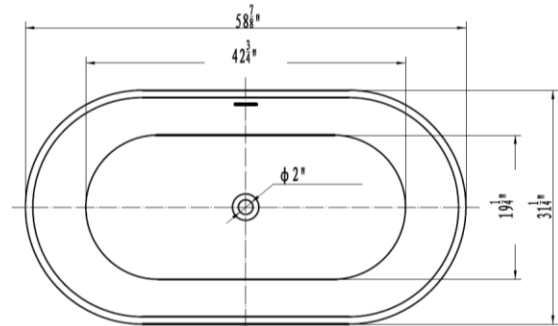
#### **PINEHURST5932**

Luxart® ALTABELLA tubs are made from vacuum-formed acrylic sheets and have a deep, durable color layer. These versatile tubs are strong and lightweight, serving as the centerpiece of your bathroom. Pour into an AltaBella bath and enjoy a generous, deep soak like no other.



## TECHNICAL SPECIFICATIONS

Height	22-1/2 in
Width	31-1/4 in
Depth	17-3/8 in
Length	58-7/8 in
Weight	88 pounds
Shipping Weight	103 pounds
Capacity (full)	66 Gallons
Capacity (to overflow)	60 Gallons
Drain	Center
Overflow	Integrated
Faucet Type	Wall or Floor Mount



## APPLICABLE STANDARDS/CODES

Specified model meets or exceeds the following:

- CSA B45.5-11/IAPMO Z124

## Warranty

See warranty information for more details.

All dimensions listed are nominal. LUXART® reserves the right to make product and material changes at any time without notice.



Contact your sales representative for more information or visit our website at [luxartcollection.com](http://luxartcollection.com)

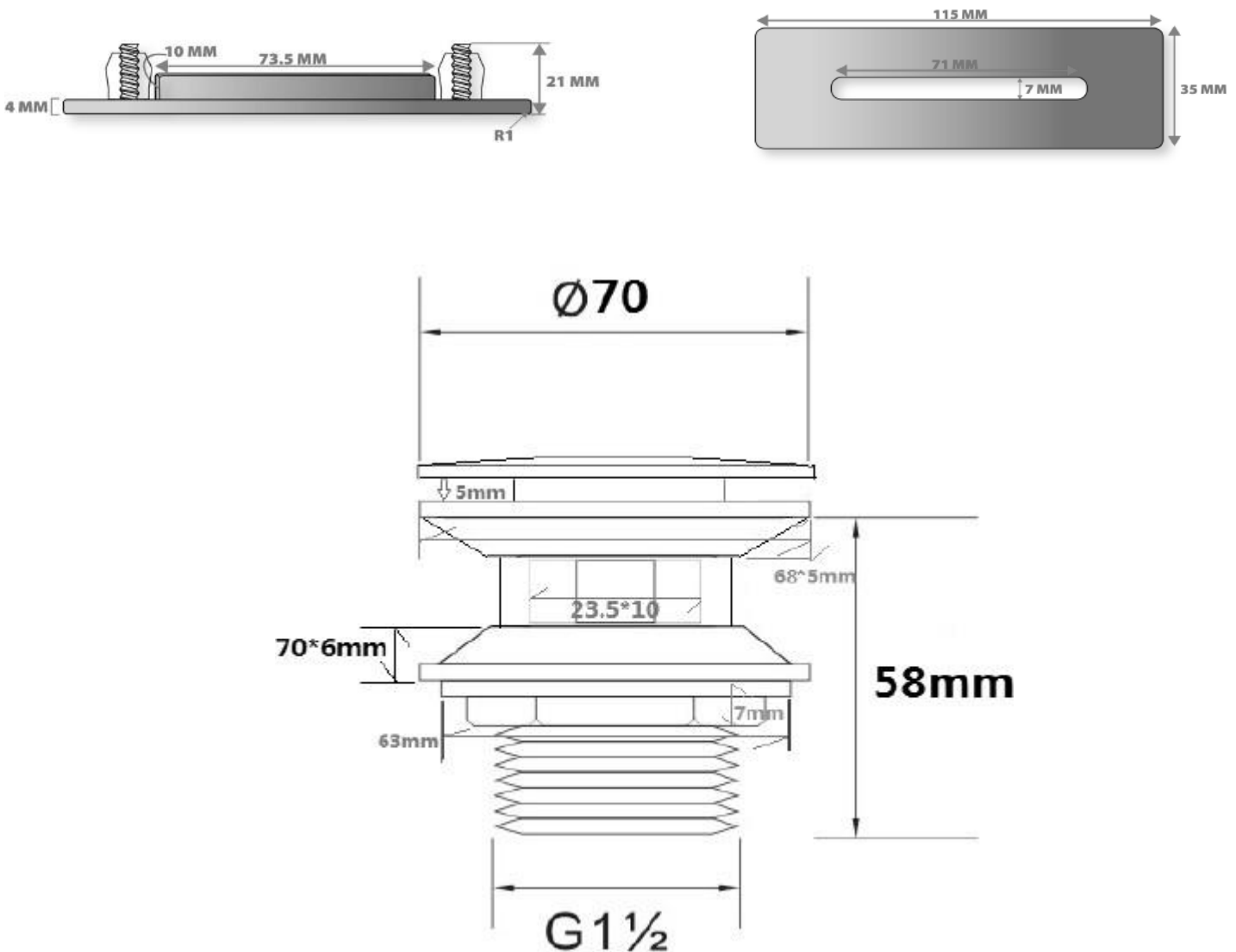
# Freestanding Tub

LUXART® *Alta Bella*

## Product Specifications

### TECHINCAL SPECIFICATIONS

Metal overflow drain cover. Integral bathtub drain assembly with integral overflow holes. Metal pop-up drain cover. Drain cover is interchangeable with different finish colors, purchased separately. Made of brass and metal components.



Contact your sales representative for more information or visit our website at [luxartcollection.com](http://luxartcollection.com)