

# Freestanding Tub

LUXART® *AltaBella*

## Product Specifications

# LUXART® OPULERO

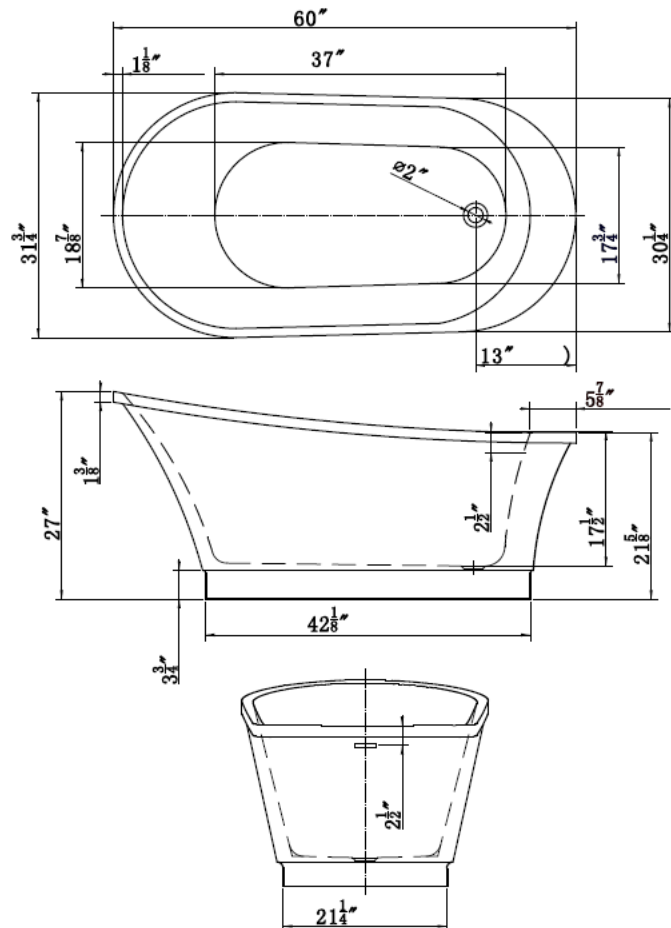
## OPULERO6032

Luxart® ALTABELLA tubs are made from vacuum-formed acrylic sheets and have a deep, durable color layer. These versatile tubs are strong and lightweight, serving as the centerpiece of your bathroom. Pour into an AltaBella bath and enjoy a generous, deep soak like no other.



## TECHINCAL SPECIFICATIONS

Height	27 in
Width	31-3/4 in
Depth	17-1/2 in
Length	60 in
Weight	81.60 pounds
Shipping Weight	99.45 pounds
Capacity (full)	90 Gallons
Capacity (to overflow)	76 Gallons
Drain	End
Overflow	Integrated
Faucet Type	Wall, Floor or Deck Mount (3 hole or less)



## APPLICABLE STANDARDS/CODES

Specified model meets or exceeds the following:

- CSA B45.5-11/IAPMO Z124

## Warranty

See warranty information for more details.

All dimensions listed are nominal. LUXART® reserves the right to make product and material changes at any time without notice.



Contact your sales representative for more information or visit our website at [luxartcollection.com](http://luxartcollection.com)

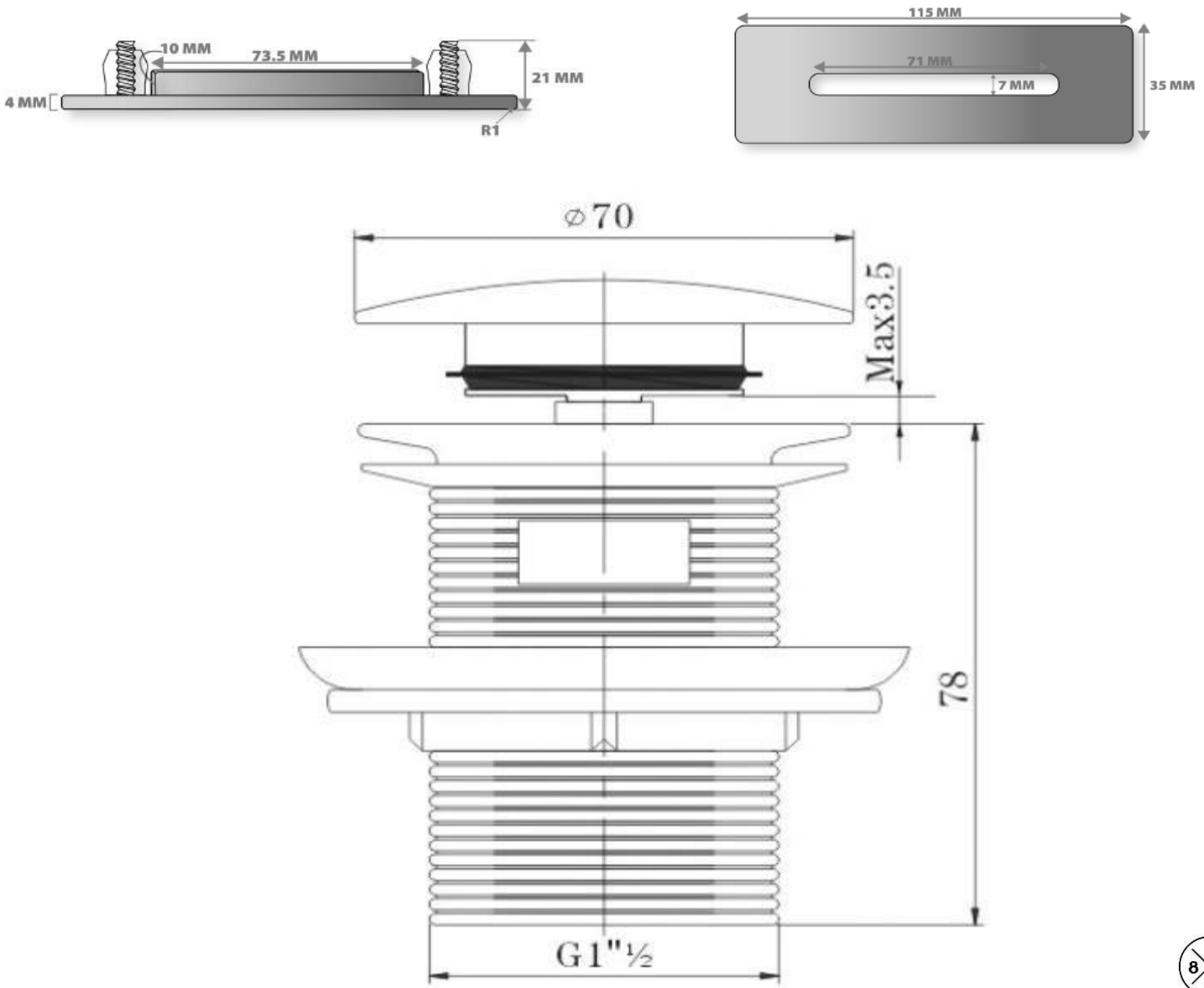
# Freestanding Tub

LUXART® *Alta Bella*

## Product Specifications

### TECHINCAL SPECIFICATIONS

Metal overflow drain cover. Integral bathtub drain assembly with integral overflow holes. Metal pop-up drain cover. Drain cover is interchangeable with different finish colors, purchased separately. Made of brass and metal components.



Contact your sales representative for more information or visit our website at [luxartcollection.com](http://luxartcollection.com)