

# Freestanding Tub

LUXART® *AltaBella*

## Product Specifications

LUXART®  
**MUNROE®**

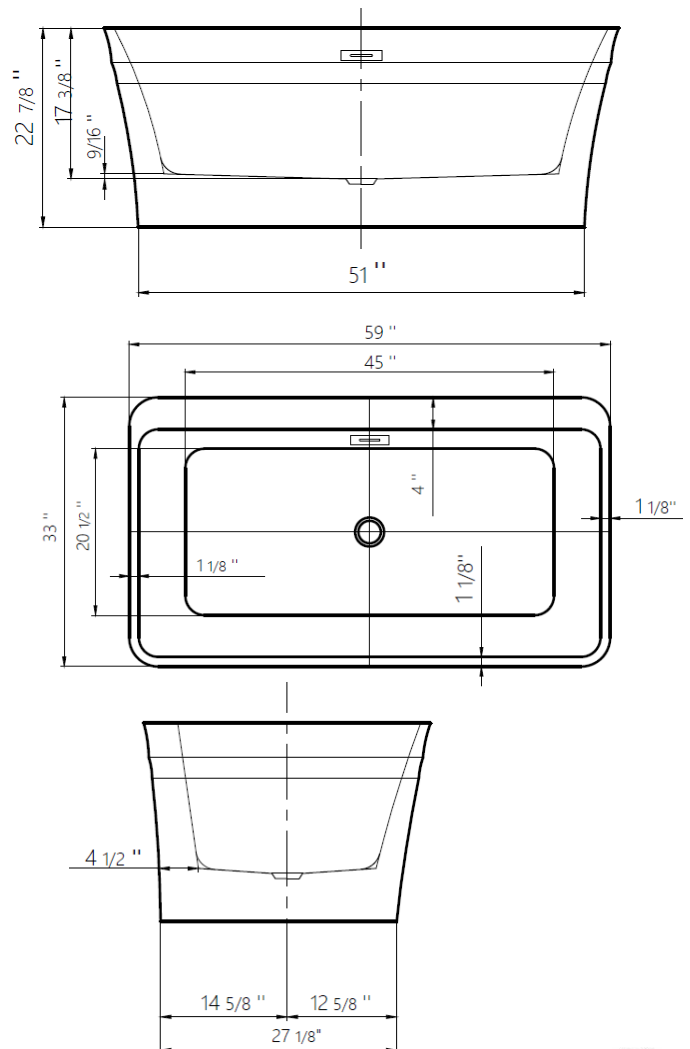
### MUNROE5933

Luxart® ALTABELLA tubs are made from vacuum-formed acrylic sheets and have a deep, durable color layer. These versatile tubs are strong and lightweight, serving as the centerpiece of your bathroom. Pour into an AltaBella bath and enjoy a generous, deep soak like no other.



## TECHINCAL SPECIFICATIONS

Height	22-7/8 in
Width	33 in
Depth	17-3/8 in
Length	59 in
Weight	94.8 pounds
Shipping Weight	112.2 pounds
Capacity (full)	73.2 Gallons
Capacity (to overflow)	58 Gallons
Drain	Center
Overflow	Standard
Faucet Type	Wall, Floor or Deck Mount



## APPLICABLE STANDARDS/CODES

Specified model meets or exceeds the following:

- CSA B45.5-11/IAPMO Z124

## Warranty

See warranty information for more details.

All dimensions listed are nominal. LUXART® reserves the right to make product and material changes at any time without notice.



Contact your sales representative for more information or visit our website at [luxartcollection.com](http://luxartcollection.com)

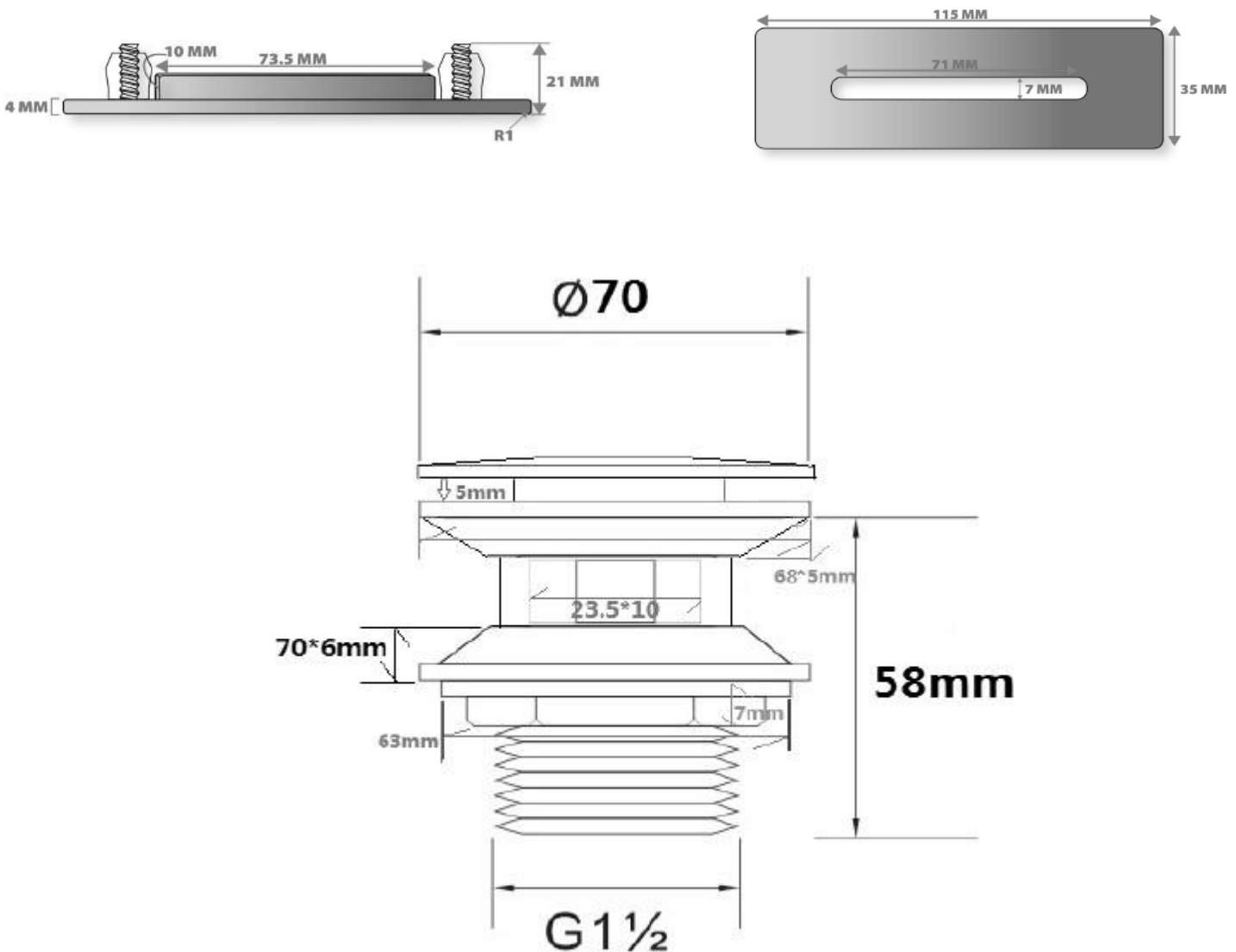
# Freestanding Tub

LUXART® *Alta Bella*

## Product Specifications

### TECHINCAL SPECIFICATIONS

Standard overflow drain cover. Metal pop-up drain cover. Drain cover is interchangeable with different finish colors, purchased separately. Made of brass and metal components.



Contact your sales representative for more information or visit our website at [luxartcollection.com](http://luxartcollection.com)