

# Freestanding Tub

Luxart®  
VitaBella

## Product Specifications

LUXART®  
*Liscio*®

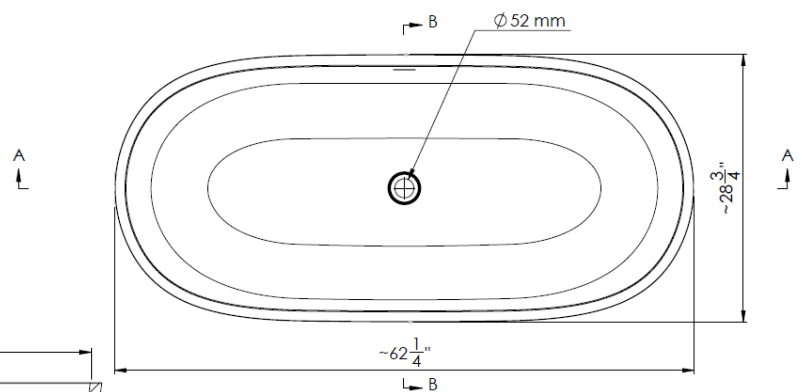
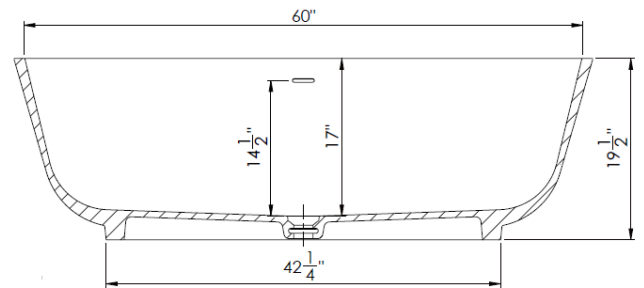
Luxart VitaBella tubs are made of mineral composite, an organic mixture of ground natural minerals and binding agents that are liquefied, poured and then hardened. The result is molded stone, solid through and through with no layers, hollow or void areas and a deep-soak bath experience unlike any other.

- Drain is made of the same material as the tub for a uniform look.



### TECHNICAL SPECIFICATIONS

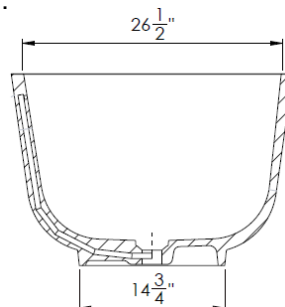
Height	19-1/2 in
Width	28-3/4 in
Depth	17 in
Length	62-1/4 in
Weight	289 pounds
Shipping Weight	342 pounds
Capacity (full)	82 Gallons
Capacity (to overflow)	72 Gallons
Drain	Center
Overflow	Integrated
Faucet Type	Wall or Floor Mounted



### APPLICABLE STANDARDS/CODES

Specified model meets or exceeds the following:

- IAPMO/cUPC



### AVAILABLE FINISHES:

- Gloss Finish – LISCIO6229OF
- Matte Finish – LISCIO6229OFM



Contact your sales representative for more information or visit our website at [luxartcollection.com](http://luxartcollection.com)

## TECHINCAL SPECIFICATIONS

ABS Intergral Bath Tub Drain Assembly shall feature a Brass coarse thread strainer with 5/16-18 UNC thread-in crossbar and Integral overflow holes with vertical weeping channels. ABS fitting features an 1-1/2" DWV Hub.

