

Freestanding Tub

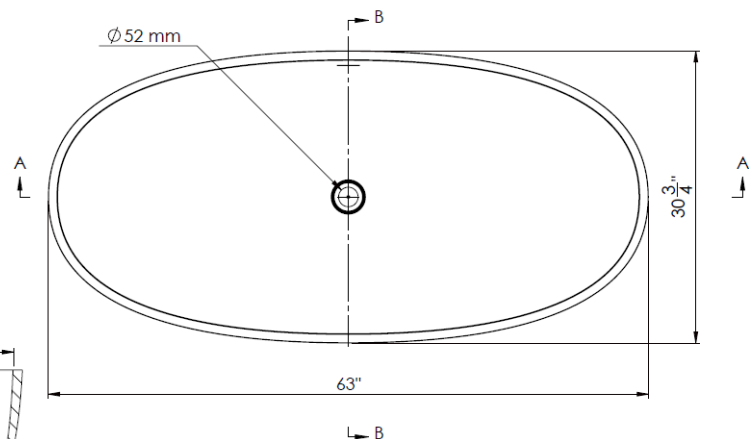
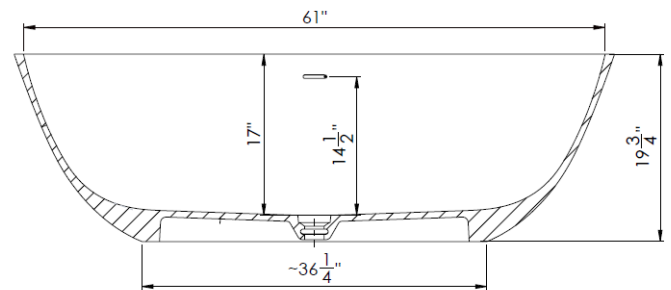
Luxart®
VitaBella

Product Specifications

LUXART®
DOWNTOWN®

Luxart VitaBella tubs are made of mineral composite, an organic mixture of ground natural minerals and binding agents that are liquefied, poured and then hardened. The result is molded stone, solid through and through with no layers, hollow or void areas and a deep-soak bath experience unlike any other.

- Drain is covered in the same material as the tub.



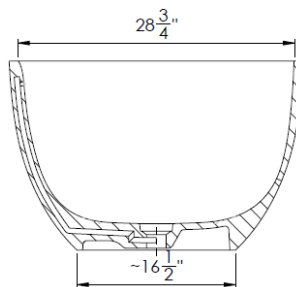
TECHINCAL SPECIFICATIONS

Height	19-3/4in
Width	30-3/4in
Depth	17 in
Length	63 in
Weight	264 pounds
Shipping Weight	320 pounds
Capacity (full)	83 Gallons
Capacity (to overflow)	70 Gallons
Drain	Center
Overflow	Integrated
Faucet Type	Wall or Floor Mounted

APPLICABLE STANDARDS/CODES

Specified model meets or exceeds the following:

- IAPMO/cUPC



AVAILABLE FINISHES:

- Gloss Finish – DOWNTOWN6331OF
- Matte Finish – DOWNTOWN6331OFM



Contact your sales representative for more information or visit our website at luxartcollection.com

TECHINCAL SPECIFICATIONS

ABS Intergral Bath Tub Drain Assembly shall feature a Brass coarse thread strainer with 5/16-18 UNC thread-in crossbar and Integral overflow holes with vertical weeping channels. ABS fitting features an 1-1/2" DWV Hub.

