

# Freestanding Tub

Luxart®  
VitaBella

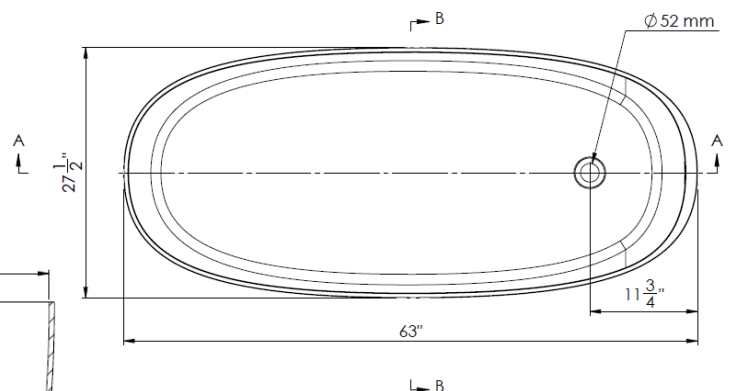
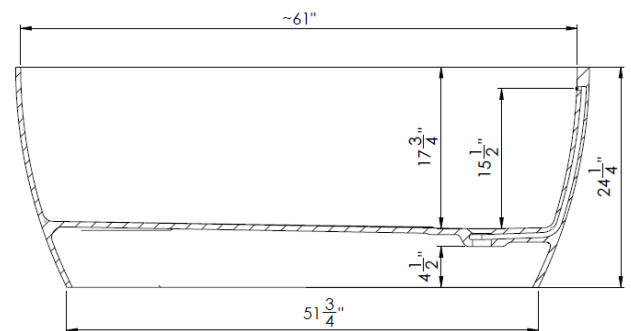
## Product Specifications

LUXART®  
**CANALE®**

Luxart VitaBella tubs are made of mineral composite, an organic mixture of ground natural minerals and binding agents that are liquefied, poured and then hardened. The result is molded stone, solid through and through with no layers, hollow or void areas and a deep-soak bath experience unlike any other.

## TECHINCAL SPECIFICATIONS

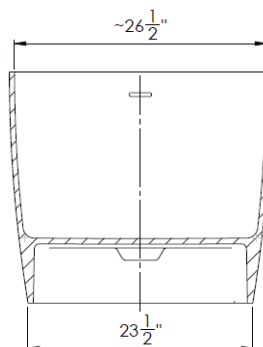
Height	24-1/4 in
Width	27-1/2 in
Depth	17-3/4 in
Length	63 in
Weight	217.25 pounds
Shipping Weight	270.60 pounds
Capacity (full)	98 Gallons
Capacity (to overflow)	82 Gallons
Drain	End
Overflow	Integrated
Faucet Type	Wall or Floor Mounted



## APPLICABLE STANDARDS/CODES

Specified model meets or exceeds the following:

- IAPMO/cUPC



## AVAILABLE FINISHES:

- Gloss Finish – CANALE6327OF
- Matte Finish – CANALE6327OFM



Contact your sales representative for more information or visit our website at [luxartcollection.com](http://luxartcollection.com)

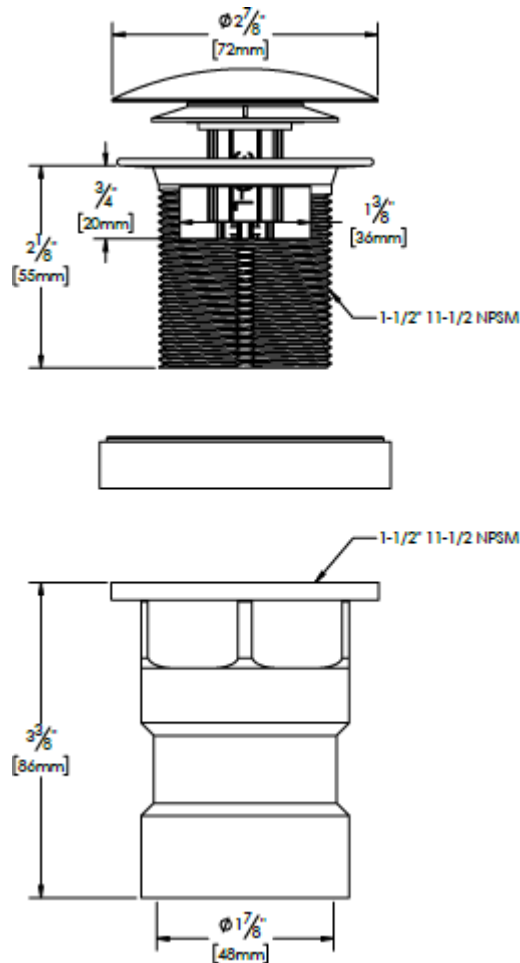
# Freestanding Tub

Luxart®  
VitaBella

Product Specifications

## TECHINCAL SPECIFICATIONS

**ABS Intergral Bath Tub Drain Assembly shall feature a Brass coarse thread strainer with 5/16-18 UNC thread-in crossbar and Integral overflow holes with vertical weeping channels. ABS fitting features an 1-1/2" DWV Hub.**



Contact your sales representative for more information or visit our website at [luxartcollection.com](http://luxartcollection.com)

Revised 9/18/2023