

Product Information

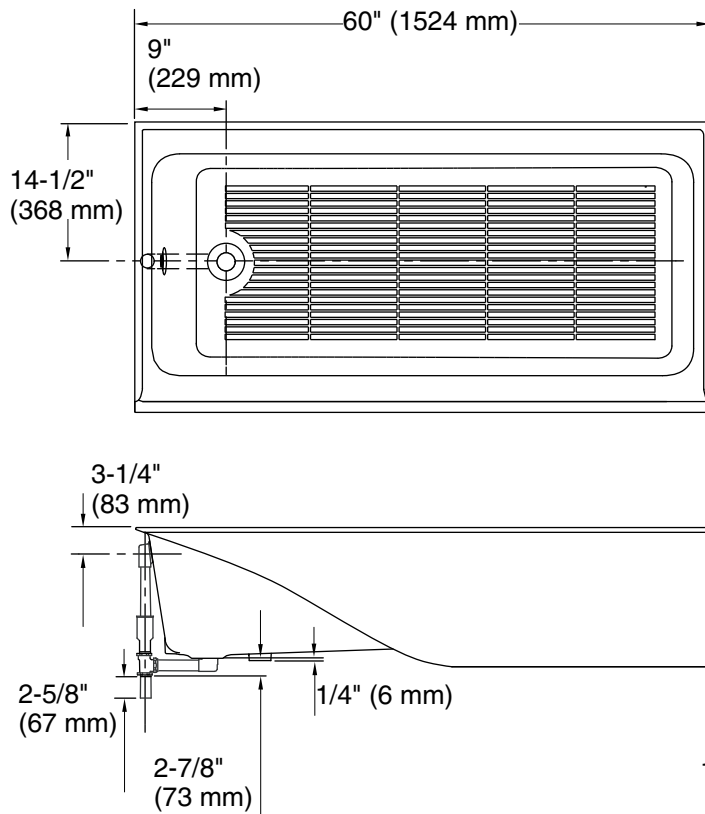
Applicable product:	
Bath with integral apron – left drain (shown)	K-837
Bath with integral apron – right drain	K-838

Fixture*:	
Bathing well:	
Basin area, bottom	48-3/4" (1238 mm) x 19-5/16" (491 mm)
Basin area, top	54-11/16" (1389 mm) x 21-3/16" (538 mm)
Weight	325 lbs (147 kg)
To overflow:	
Water depth	9" (229 mm)
Capacity	32.6 gal (123.4 L)
*Approximate measurements for comparison only.	

Recommended accessories:	
Toe tap bath drain OR	K-7259
Cable bath drain – 30" (762 mm), brass OR	K-37380
Cable bath drain – 30" (762 mm), with PVC tubing	K-37383

Installation Notes

Install this product according to the installation guide.
 Floor support under the bath must provide for a minimum of 52 lbs/square foot (253.9 kg/square meter) loading.
 Will comply with **ADA** when installed per Section 607 Bathtubs of the ADA 2010 Standards for Accessible Design.
 Will comply with **CSA B651** when installed per Clause 4.4.7 of the standard.
 Will comply with **OBC** when installed per Clause 3.8.3.13.
 Fixture conforms to ASME Standards A112.19.1/CSA B45.2.
 All dimensions are nominal.



No change in measurement if connected with drain illustrated. (K-7259)

