

#### Product Information

Applicable product:	
Under-mount apron front kitchen sink	K-3943
Fixture*:	
Bowl area	32-1/2" (826 mm) x 17-3/16" (437 mm)
Water depth	9" (229 mm)
Drain hole	Ø 3-11/16" (94 mm)
* Approximate measurements for comparison only.	
Included components:	
Hardware kit (4 required)	91915
Cut-out template	1166719-7
Included accessories:	
Bottom bowl rack	K-6474
Optional accessories:	
Duostrainer® sink strainer	K-8801

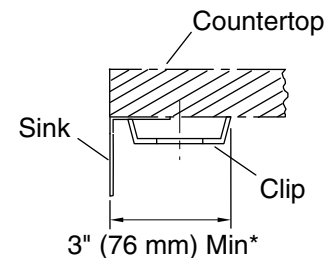
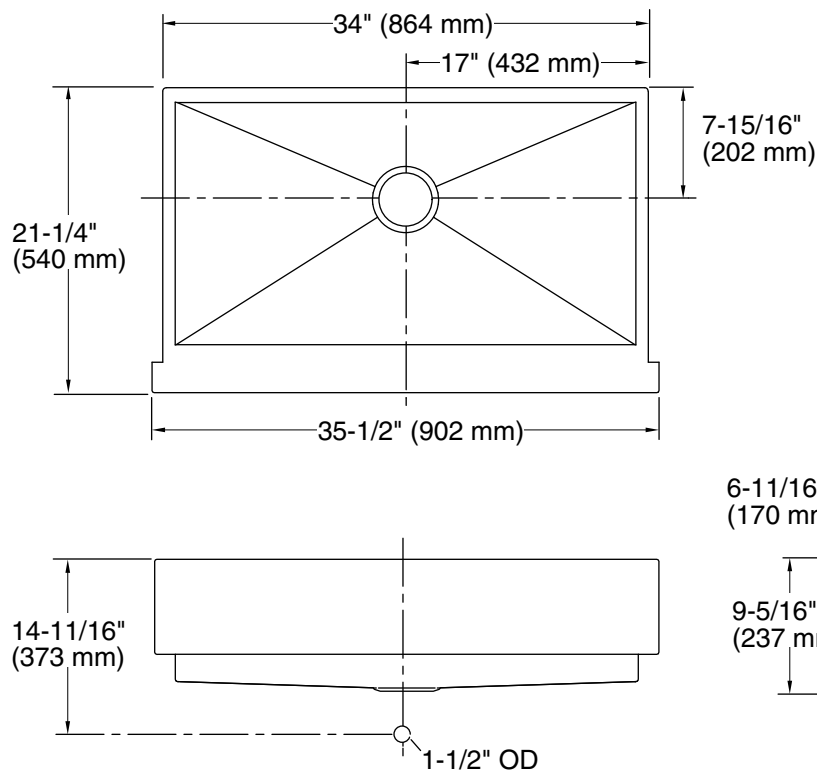
#### Installation Notes

Install this product according to the installation guide.

Allow a minimum of 3" (76 mm) clearance for the back 1" (25 mm) sink rim flange for clip attachment.

The 3/4" (19 mm) side rim flanges are supported without using the clip attachment. See the installation guide for further instructions.

Fixture conforms to standard ASME A112.19.3/CSA B45.4. All dimensions are nominal.



\*Allow clearance around the back sink rim for clip attachment.

