



PARTS BREAKDOWN SHEET



HANDHELD SHOWER SET



Model #: _____

Specific Features: _____

Project Name: _____

Submitted For: _____

Date: _____

- Five Setting Handheld Showerhead
- 24" Slide Bar with Brass Mounts
- 60" Stainless Steel Flex Hose
- Brass Drop Ell with Vacuum Breaker
- 2.5 GPM Max. Flow Rate

P-4430 SHOWN

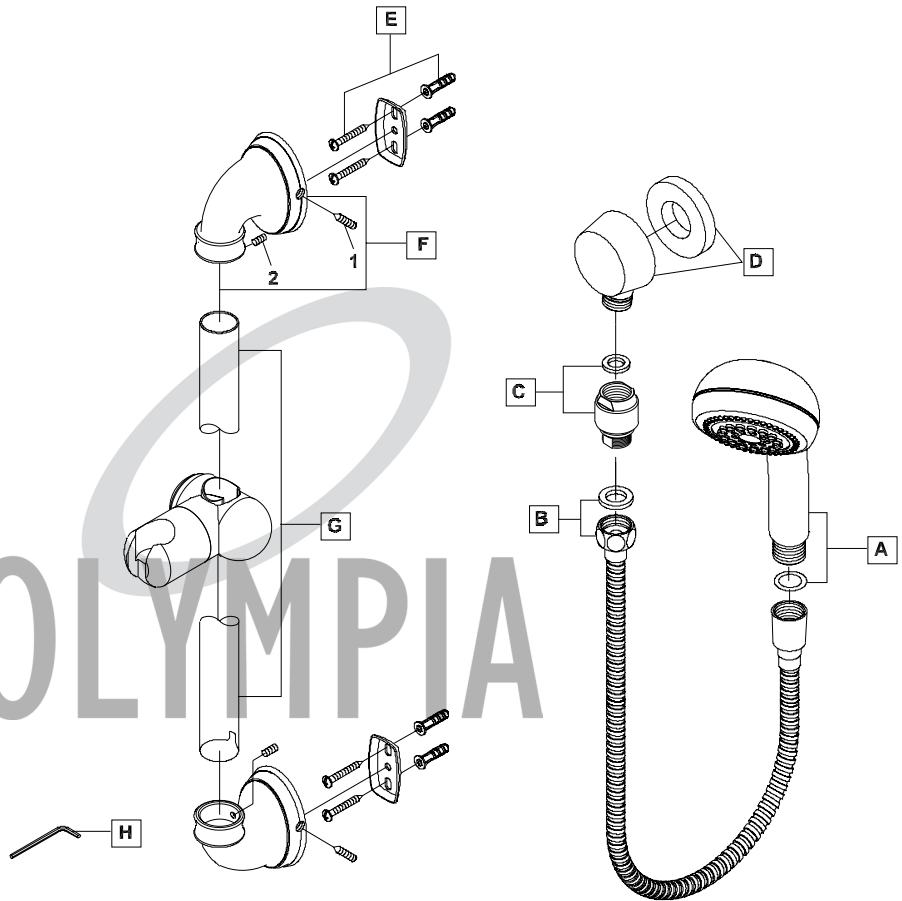
| Model # | Features | Finish | |
|-------------|----------|--------|--|
| P-4430* | | CP | |
| P-4430-BN* | | PVD BN | |
| P-4430-ORB* | | ORB | |

Olympia products are engineered and manufactured to meet the following standards and codes:

ASME A112.18.1
IAPMO LISTED/ CUPC Listed

* Handheld Showerhead limited to 2.5 GPM Flow Rate
There is More than 1 Version of this model. Page down to identify the version you have.

1st Generation Faucet-Manufactured before June 2013



| ITEM # | DESCRIPTION |
|--------|--------------------------------|
| A | OP-660001* Handheld Showerhead |
| B | OP-460008* 60" SST Hose |
| C | OP-460007* Vacuum Breaker |
| D | OP-460006* Drop Ell |
| E | OP-560001 Mounting Kit |
| F | OP-460009* Brass Mounts |
| G | OP-460010* 24" Slide Bar |
| H | OP-490011 3/32" Allen Wrench |
| 1 | OP-460011 Mounting Screw |
| 2 | OP-490029 3/32" Allen Screw |

* Note- Please Specify finish\color code while ordering.

** Note- OP-460007 is replaced by OP-460020 after June 2013.

PARTS BREAKDOWN SHEET



HANDHELD SHOWER SET



Model #: _____
Specific Features: _____
Project Name: _____
Submitted For: _____
Date: _____

- Five Setting Handheld Showerhead
- 24" Slide Bar with Brass Mounts
- 60" Stainless Steel Flex Hose
- Brass Drop Ell with Vacuum Breaker
- 2.5 GPM Max. Flow Rate

P-4430 SHOWN

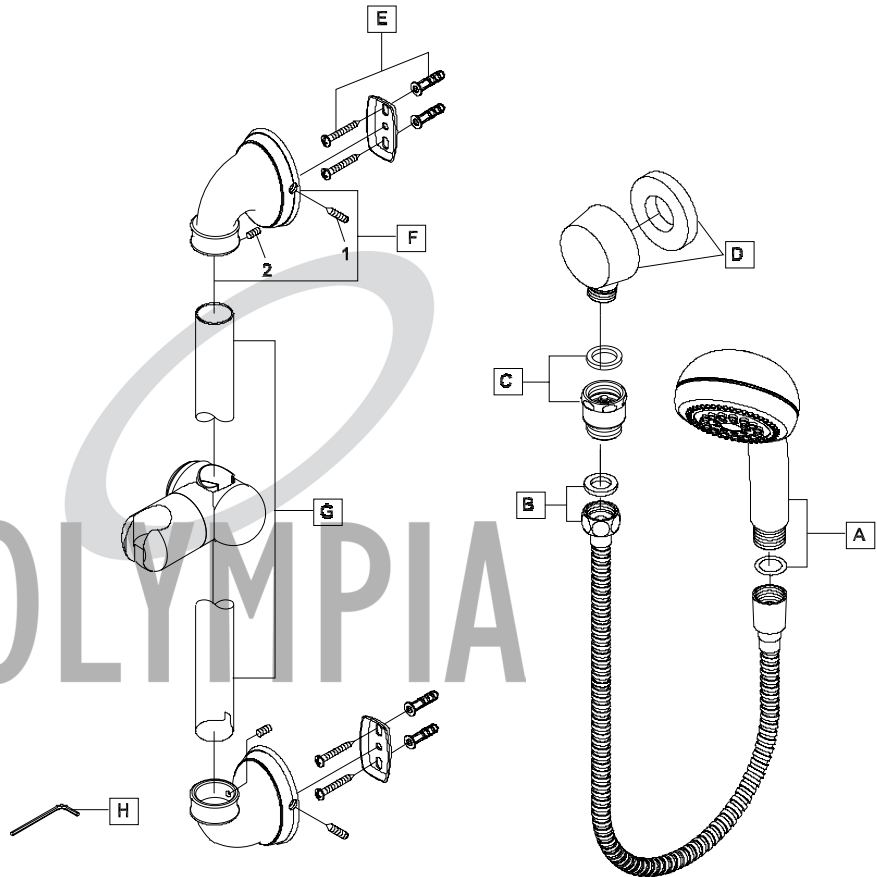
| Model # | Features | Finish | |
|-------------|----------|--------|--|
| P-4430* | | CP | |
| P-4430-BN* | | PVD BN | |
| P-4430-ORB* | | ORB | |

Olympia products are engineered and manufactured to meet the following standards and codes:

ASME A112.18.1
IAPMO LISTED/ CUPC Listed

* Handheld Showerhead limited to 2.5 GPM Flow Rate

2nd Generation Faucet-Manufactured from June 2013 to April 2014



| ITEM # | DESCRIPTION |
|--------|---------------------------------|
| A | OP-660001** Handheld Showerhead |
| B | OP-460008** 60" SST Hose |
| C | OP-460020* Vacuum Breaker |
| D | OP-460006* Drop Ell |
| E | OP-560001 Mounting Kit |
| F | OP-460009* Brass Mounts |
| G | OP-460010* 24" Slide Bar |
| H | OP-490011 3/32" Allen Wrench |
| 1 | OP-460011 Mounting Screw |
| 2 | OP-490029 3/32" Allen Screw |

* Note- Please Specify finish\color code while ordering.

** Note- OP-660001 and OP-460008 is replaced by OP-660003 and OP-460022 after April 2014.



PARTS BREAKDOWN SHEET



HANDHELD SHOWER SET



Model #: _____

Specific Features: _____

Project Name: _____

Submitted For: _____

Date: _____

- Five Setting Handheld Showerhead
- 24" Slide Bar with Brass Mounts
- 60" Stainless Steel Flex Hose
- Brass Drop Ell with Vacuum Breaker
- 1.75 GPM Max. Flow Rate

P-4430 SHOWN

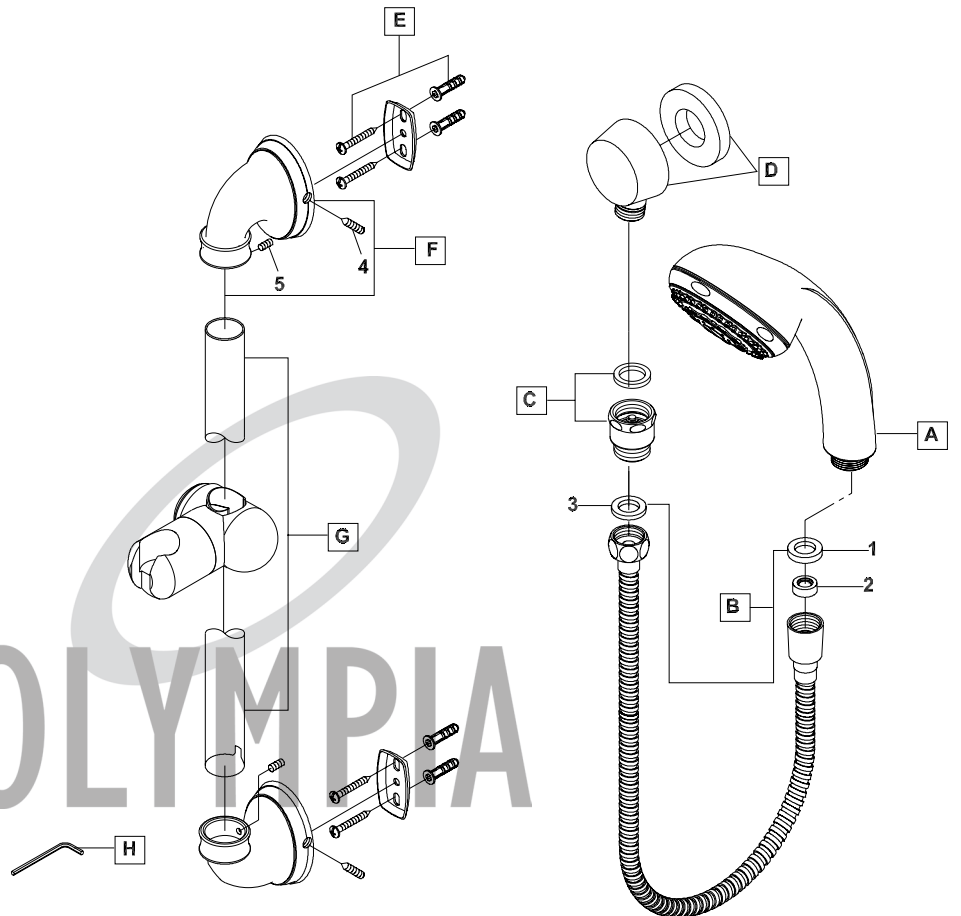
| Model # | Features | Finish | |
|-------------|----------|--------|--|
| P-4430* | | CP | |
| P-4430-BN* | | PVD BN | |
| P-4430-ORB* | | ORB | |

Olympia products are engineered and manufactured to meet the following standards and codes:

ASME A112.18.1
IAPMO LISTED/ CUPC Listed

* Handheld Showerhead limited to 1.75 GPM Flow Rate

3rd Generation Faucet-Manufactured after April 2014



| ITEM # | DESCRIPTION |
|--------|--------------------------------|
| A | OP-660003* Handheld Showerhead |
| B | OP-460021* 60" SST Hose |
| C | OP-460020* Vacuum Breaker |
| D | OP-460006* Drop Ell |
| E | OP-560001 Mounting Kit |
| F | OP-460009* Brass Mounts |
| G | OP-460010* 24" Slide Bar |
| H | OP-490011 3/32" Allen Wrench |
| 1 | OP-460023 Washer |
| 2 | OP-440048 1.75 GPM Restrictor |
| 3 | OP-460025 Washer |
| 4 | OP-460011 Mounting Screw |
| 5 | OP-490029 3/32" Allen Screw |

* Note- Please Specify finish\color code while ordering.



PARTS BREAKDOWN SHEET



HANDHELD SHOWER SET



Model #: _____

Specific Features: _____

Project Name: _____

Submitted For: _____

Date: _____

- Five Setting Handheld Showerhead
- 24" Slide Bar with Brass Mounts
- 60" Stainless Steel Flex Hose
- Brass Drop Ell with Vacuum Breaker
- 1.75 GPM Max. Flow Rate

P-4430 SHOWN

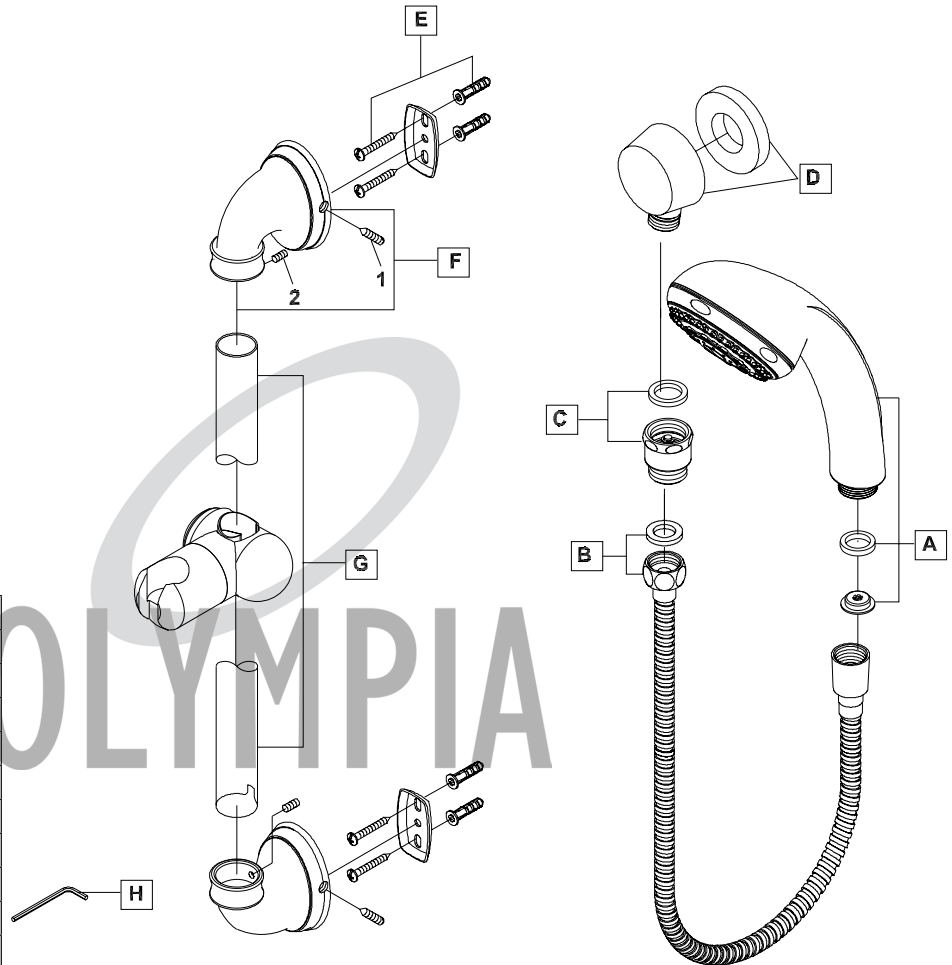
| Model # | Features | Finish | |
|-------------|----------|--------|--|
| P-4430* | | CP | |
| P-4430-BN* | | PVD BN | |
| P-4430-ORB* | | ORB | |

Olympia products are engineered and manufactured to meet the following standards and codes:

ASME A112.18.1
IAPMO LISTED/ CUPC Listed

* Handheld Showerhead limited to 1.75 GPM Flow Rate

4th Generation Faucet



| ITEM # | DESCRIPTION |
|--------|--------------------------------|
| A | OP-660003* Handheld Showerhead |
| B | OP-460008* 60" SST Hose |
| C | OP-460020* Vacuum Breaker |
| D | OP-460006* Drop Ell |
| E | OP-560001 Mounting Kit |
| F | OP-460009* Brass Mounts |
| G | OP-460010* 24" Slide Bar |
| H | OP-490011 3/32" Allen Wrench |
| 1 | OP-460011 Mounting Screw |
| 2 | OP-490029 3/32" Allen Screw |

* Note- Please Specify finish\color code while ordering.



PARTS BREAKDOWN SHEET



HANDHELD SHOWER SET



Model #: _____

Specific Features: _____

Project Name: _____

Submitted For: _____

Date: _____

- Five Setting Handheld Showerhead
- 24" Slide Bar with Mounts
- 60" Stainless Steel Flex Hose
- Brass Drop Ell with Vacuum Breaker
- 1.75 GPM Max. Flow Rate

P-4430 SHOWN

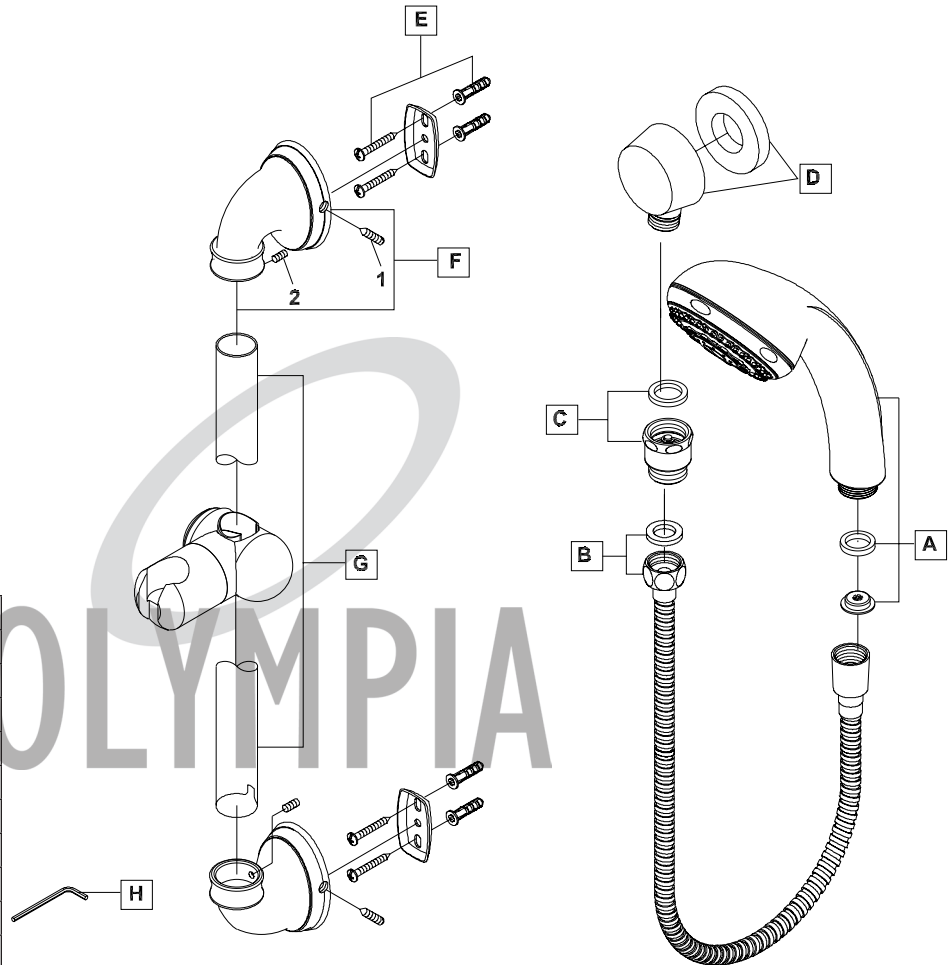
| Model # | Features | Finish | |
|-------------|----------|--------|--|
| P-4430* | | CP | |
| P-4430-BN* | | PVD BN | |
| P-4430-ORB* | | ORB | |

Olympia products are engineered and manufactured to meet the following standards and codes:

ASME A112.18.1

* Handheld Showerhead limited to 1.75 GPM Flow Rate

5th Generation Faucet



| ITEM # | DESCRIPTION |
|--------|--------------------------------|
| A | OP-660003* Handheld Showerhead |
| B | OP-460008* 60" SST Hose |
| C | OP-460020* Vacuum Breaker |
| D | OP-460006* Drop Ell |
| E | OP-560001 Mounting Kit |
| F | OP-460024* Top, Bottom Mount |
| G | OP-460028* 24" Slide Bar |
| H | OP-490011 3/32" Allen Wrench |
| 1 | OP-460011 Mounting Screw |
| 2 | OP-490029 3/32" Allen Screw |

* Note- Please Specify finish\color code while ordering.

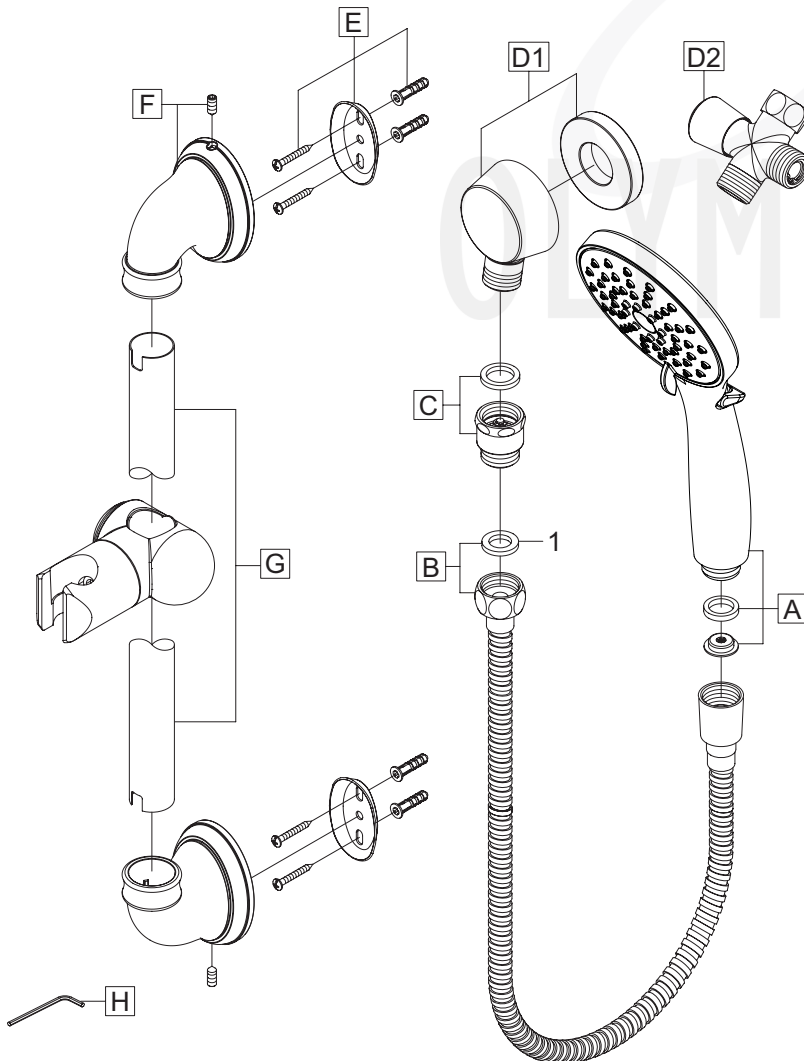
PARTS BREAKDOWN SHEET



Model Number: P-4430, P-4420

* Note: Please specify finish/color when ordering.

| | ITEM # | DESCRIPTION |
|----|------------|-------------------------------|
| A | OP-660008* | 1.75 GPM Handheld Showerhead |
| A | OP-660009* | 1.5 GPM Handheld Showerhead |
| B | OP-460008* | 60" SST Hose |
| C | OP-460020* | Vacuum Breaker |
| D1 | OP-460006* | Drop Ell (For P-4430) |
| D2 | OP-460013* | Two Way Diverter (For P-4420) |
| E | OP-560001 | Mounting Kit |
| F | OP-460024* | Mount |
| G | OP-460010* | 24" Slide Bar |
| H | X-5900010 | 2.5mm Allen Wrench |
| 1 | OP-460025 | Washer |



PARTS BREAKDOWN SHEET



Handheld Shower Set with Grab / Slide Bar

Model Number: P-4430, P-4420

* Note: Please specify finish/color when ordering.

| | ITEM # | DESCRIPTION |
|----|------------|-------------------------------|
| A | OP-660008* | 1.75 GPM Handheld Showerhead |
| A | OP-660009* | 1.5 GPM Handheld Showerhead |
| B | OP-460027* | 60" SST Hose |
| C | OP-460020* | Vacuum Breaker |
| D1 | OP-460006* | Drop Ell (For P-4430) |
| D2 | OP-460013* | Two Way Diverter (For P-4420) |
| E | OP-560001 | Mounting Kit |
| F | OP-460024* | Mount |
| G | OP-460010* | 24" Slide Bar |
| H | X-5900010 | 2.5mm Allen Wrench |
| 1 | OP-460025 | Washers |

