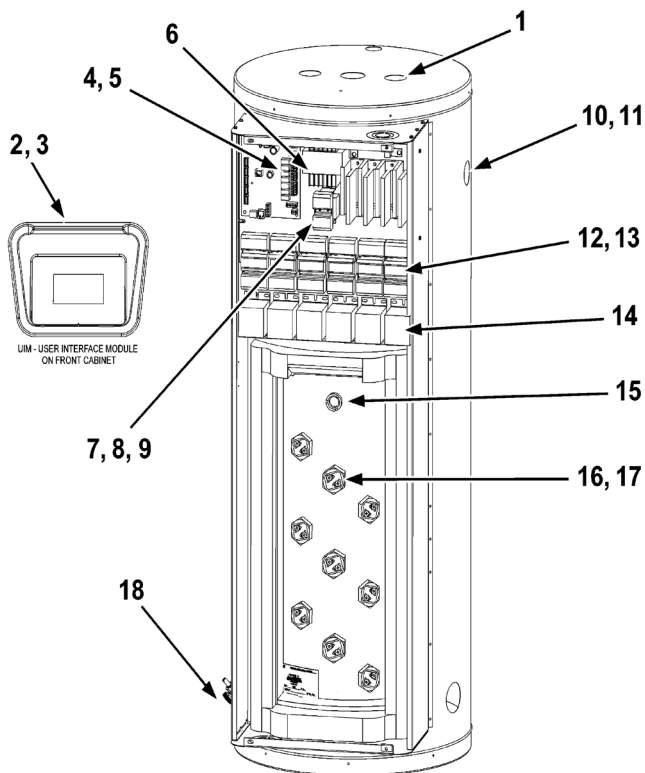


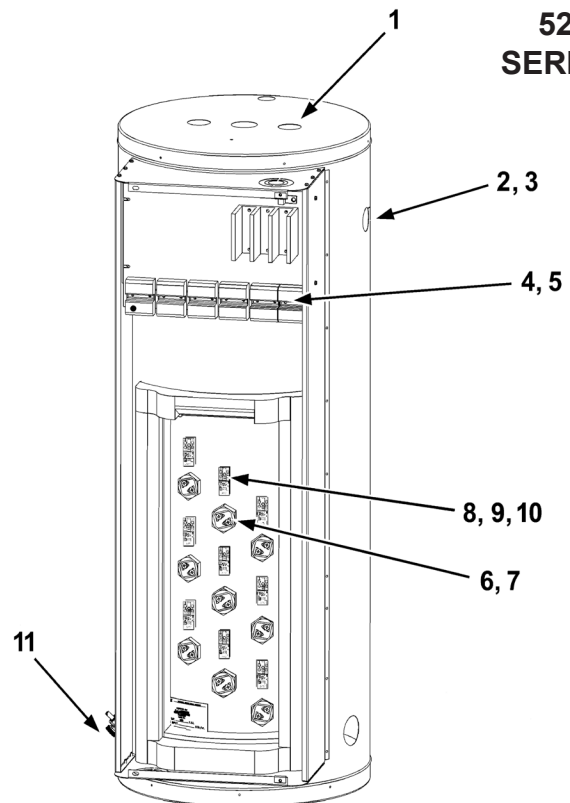
125 Southeast Parkway
 • Franklin, TN 37068
 www.hotwater.com • 1-800-433-2545

COMMERCIAL ELECTRIC WATER HEATER SERVICE PARTS LIST

**MODELS:
 52/80/120
 SERIES 100**



Electronic Control Models



Surface Mount Control Models

Electronic Control Models				
Item #	Description	52	80	120
1A	Anode, 2 required (Alu, Std)	100109594	100109594	100109594
1B	Anode, 2 required (Mag, Special)	100108660	100108660	100108660
2	Display - Board	100111017	100111017	100111017
3	Display - Overlay	100111538	100111538	100111538
4A	CCB - 3 EI Temperature controller	100111539	100111539	100111539
4B	CCB - 6 EI Temperature controller	100111540	100111540	100111540
4C	CCB - 9 EI Temperature controller	100111541	100111541	100111541
5	Communication Cable	100111274	100111274	100111274
6A	Transformer - 100VA Std (208, 240, 277, 480V)	100111548	100111548	100111548
6B	Transformer - 100VA Universal (220, 380, 415, 575V)	100111549	100111549	100111549
7	Transformer - 25VA 120/24V	100111550	100111550	100111550
8	Fuse - Control Circuit	100110609	100110609	100110609
9	Fuse Block - Control Circuit	100110610	100110610	100110610
10	Nipple - T & P valve extension	100110607	100110607	100110607
11A	T & P Valve - 3 elements	100110605	100110605	100110605
11B	T & P - 6 or 9 elements	100110738	100110738	100110738
12A	Fuse - Power Circuit (not 54KW at 208V or not 575V)	100110720	100110720	100110720
12B	Fuse - Power Circuit for 54KW at 208V model	100111551	100111551	100111551
12C	Fuse - Power Circuit for 575V models	100110708	100110708	100110708
13A	Fuse Block - Power Circuit (not 54KW at 208V or not 575V Models)	100110214	100110214	100110214
13B	Fuse Block - Power Circuit for 54KW at 208V model	100110257	100110257	100110257
13C	Fuse Block - Power Circuit for 575V models	100110212	100110212	100110212
14	Contactors	100110217	100110217	100110217
15	Temperature probe	100111552	100111552	100111552
16	Element Gasket (BOX OF 50)	100108379	100108379	100108379
17	Elements (max 54KW 9 elements)	SEE CHART		
18	Drain Valve	100109606	100109606	100109606
19*	Element Sensors (1 per bank)	100111553	100111553	100111553

125 Southeast Parkway • Franklin, TN 37068 • 1-800-433-2545 • www.hotwater.com

Surface Mount Control Models				
Item #	Description	52	80	120
1A	Anode, 2 required (Alu, Std)	100109594	100109594	100109594
1B	Anode, 2 required (Mag)	100108660	100108660	100108660
2	Nipple - T & P valve extension	100110607	100110607	100110607
3A	T & P Valve - 3 elements	100110605	100110605	100110605
3B	T & P - 6 or 9 elements	100110738	100110738	100110738
4A	Fuse - Power Circuit (not 54KW at 208V or not 575V)	100110720	100110720	100110720
4B	Fuse - Power Circuit for 54KW at 208V model	100111551	100111551	100111551
4C	Fuse - Power Circuit for 575V models	100110708	100110708	100110708
5A	Fuse Block - Power Circuit (not 54KW at 208V or not 575V Models)	100110214	100110214	100110214
5B	Fuse Block - Power Circuit for 54KW at 208V model	100110257	100110257	100110257
5C	Fuse Block - Power Circuit for 575V models	100110212	100110212	100110212
6	Element Gasket (BOX OF 50)	100108379	100108379	100108379
7	Elements (max 54KW 9 elements)	SEE CHART		
8	Bracket-T-Stat	100109597	100109597	100109597
9	Personal Protector	100042170	100042170	100042170
10	Thermostat	100108952	100108952	100108952
11	Drain Valve	100109606	100109606	100109606

Replacement Incoloy Elements (Gasket Included)				
KW	208V (1Φ/3Φ)	240V (1Φ/3Φ)	277V (1Φ)	480V (1Φ/3Φ)
2	100109751	100109750	100109758	100109772
3	100108346	100108440	100109768	100109774
4	100109765	100110060	100108440	100110069
4.5	100109754	100108266	100109770	100110066
5	100110061	100109763	100110062	100110067
6	100109756	100109754	100110063	100110068

Replacement Incoloy Elements (Gasket Included) For Heaters with "Y" Configuration			
KW	380V 3Φ "Y" Config	415V 3Φ "Y" Config	575V 3Φ "Y" Config
3	100111571	100108440	100111575
4	100111572	100110060	100040570
4.5	Not Applicable	100108266	100111577
5	100111573	100109763	100298181
6	100111574	100109754	100298182