



W A T E R H E A T E R S

RESIDENTIAL & LIGHT DUTY COMMERCIAL GAS REPLACEMENT PARTS LIST

Through-The-Wall (TTW®) (RG1PV, RG2PV, LG2PV) Models



Models Covered:

RG1PV(40, 50)S*(N,X)

RG1PV55H*(N,X)

LG1PV55H78*(N,X)

RG2PV(40, 50)T*(N,X)

RG2PV(40, 50)S*(N,X)

RG2PV50H*(N,X)

LG2PV50H65*(N,X)

RG2PV75H*(N,X)

LG2PV75H76*(N,X)

(* Denotes Warranty Years

DEFENDER
SAFETY SYSTEM®

Includes Hydrojet®
Total Performance System

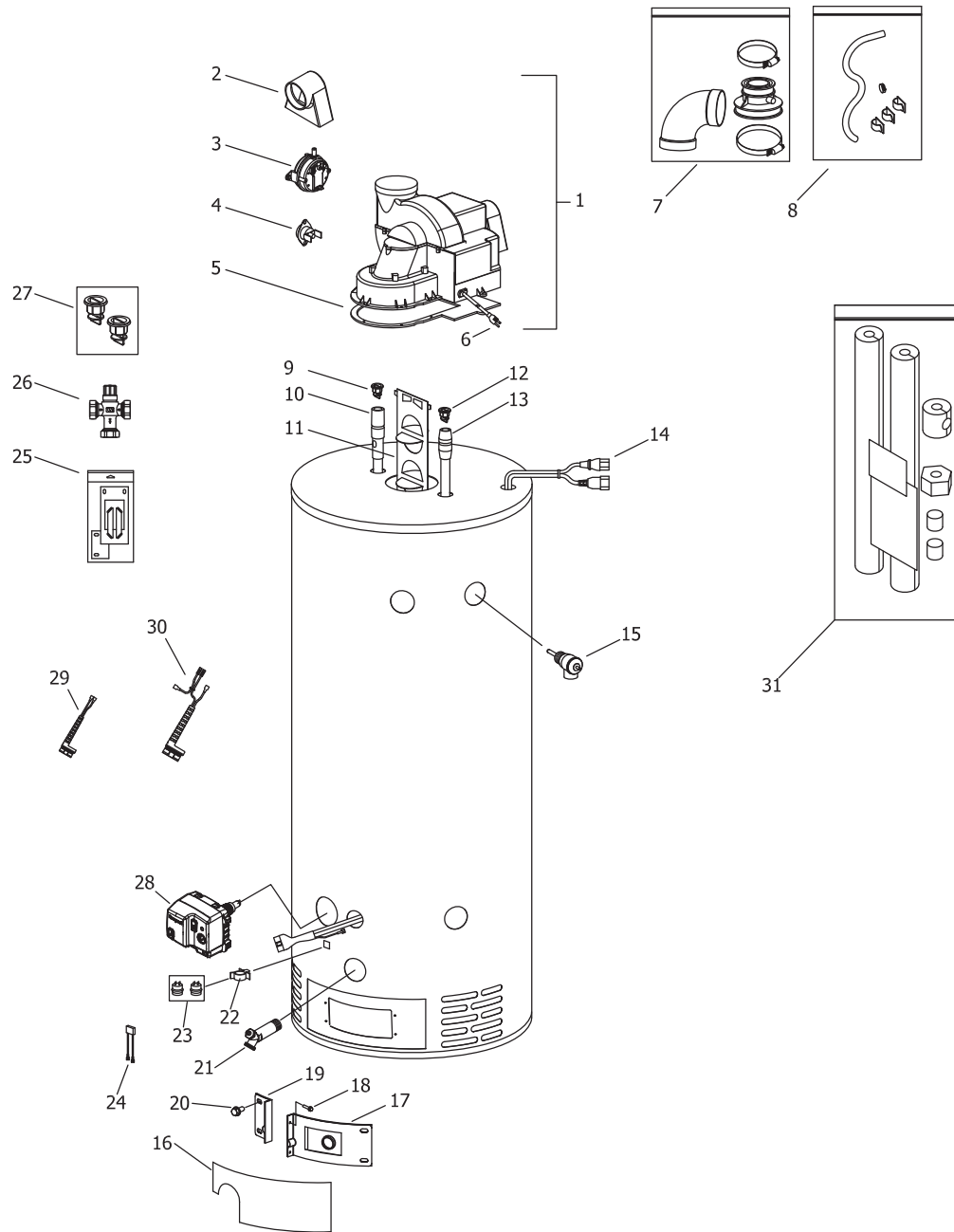
Effective: August, 2020
ECO 8255

**NOTE: BOTH MODEL AND SERIAL
NUMBERS ARE REQUIRED FOR
ORDERING REPLACEMENT PARTS**

Dimensions and specifications
subject to change without notice.

WARNING
CANCER AND REPRODUCTIVE HARM
WWW.P65WARNINGS.CA.GOV

As required by the state of California Proposition 65.



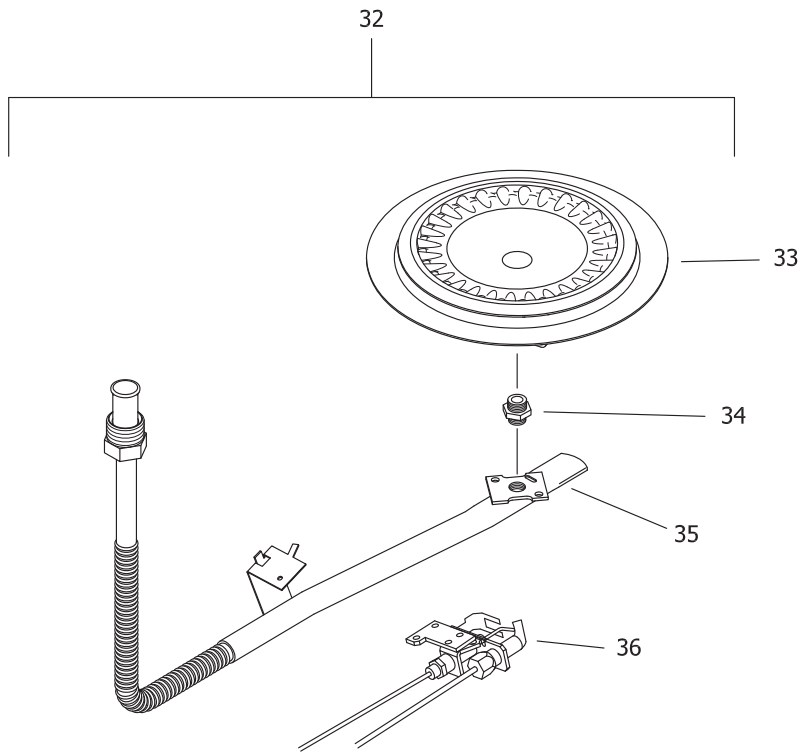
Item Description	Model	Model	Model	Model
	RG1PV40S*(N,X)	RG1PV50S*(N,X)	RG2PV40T*(N,X)	RG2PV50T*(N,X)
1 Blower Complete	415-45584-00	415-45584-00	415-48685-00	415-48685-00
Universal SVC Blower Kit	415-47200-00	415-47200-00	---	---
Blower Complete High Altitude	239-45987-00	239-45987-00	243-48686-00	243-48686-00
2 Air Mixing Inlet	239-45868-00	239-45868-00	239-45868-00	239-45868-00
3 Pressure Switch	415-45867-01	415-45867-01	415-47815-03	415-47815-03
Pressure Switch High Altitude	415-45867-03	415-45867-03	415-47815-04	415-47815-04
4 Blower Temperature Switch	239-48752-00	239-48752-00	239-48752-00	239-48752-00
5 Blower Gasket	239-45866-00	239-45866-00	239-45866-00	239-45866-00
6 Blower Power Cord	239-44466-00	239-44466-00	239-44466-00	239-44466-00
7 2" Exhaust Adaptor w/Vent Terminal	239-46263-00	239-46263-00	239-46263-00	239-46263-00
8 Condensate Hose Kit (Optional)	239-45875-00	239-45875-00	239-45875-00	239-45875-00
9 Heat Trap Insert (Outlet)	239-45167-00	239-45167-00	239-45167-00	239-45167-00
10 Hot Water Outlet Anode (Magnesium)▲#	224-47776-19	224-47776-19	224-47776-19	224-47776-19
Hot Water Outlet (Aluminum)▲#	224-32999-28	224-32999-28	224-32999-28	224-32999-28
Hot Water Outlet (A420 Aluminum)▲#	224-49560-10	224-49560-10	224-49560-10	224-49560-10
11 Flue Baffle	243-45372-00	243-45372-00	243-48689-00	243-48689-00
12 Heat Trap Insert (Inlet)	239-51556-00	239-51556-00	239-45167-00	239-45167-00
13 Cold Water Inlet Dip Tube ▲▲	229-51230-25	229-51230-25	229-45092-06	229-45092-06
14 Safety Circuit Wire Harness	239-45617-03	239-45617-03	239-45617-02	239-45617-02
15 T&P Relief Valve	230-40594-02	230-40594-02	230-40594-02	230-40594-02
16 Outer Door	243-43962-00	243-43962-00	243-43962-00	243-43962-00
17 Right Side Inner Door Complete w/Gasket	239-45642-18	239-45642-20	239-43963-16	239-45642-18
18 Screw-#8-15 x 3/4 HWH	239-44195-00	239-44195-00	239-44195-00	239-44195-00
19 Left Side Inner Door Complete w/Gasket	239-43968-18	239-43968-20	239-43968-16	239-43968-18
20 Screw-#10-12 x 3/4 HWH	239-52581-00	239-52581-00	239-52581-00	239-52581-00
21 Brass Drain Valve	265-42351-02	265-42351-02	265-42351-02	265-42351-02
22 Flammable Vapor Sensor Clip	239-45648-00	239-45648-00	239-45648-00	239-45648-00
23 Flammable Vapor Sensor Kit (2 pcs)	415-45560-00	415-45560-00	415-45560-00	415-45560-00
24 Flammable Vapor Sensor Harness	239-49791-00	239-49791-00	239-49791-00	239-49791-00
25 Inner Door Gasket Kit	239-44078-00	239-44078-00	239-44078-00	239-44078-00
26 ASSE Approved Mixing Valve (Optional)	239-51778-00	239-51778-00	239-51778-00	239-51778-00
27 Kit-Heat Trap Insert	265-51572-00	265-51572-00	265-45420-00	265-45420-00
28 Gas Valve Natural Gas	239-48795-01	239-48795-01	239-48795-02	239-48795-02
Gas Valve LP Gas	239-48796-01	239-48796-01	239-48796-02	239-48796-02
29 Flammable Vapor Sensor Harness	239-49791-00	239-49791-00	239-49791-00	239-49791-00
30 FV Sensor and Thermal Switch Harness	239-50066-00	239-50066-00	239-50066-00	239-50066-00
31 Insulation Kit	239-48949-00	239-48949-00	239-48949-00	239-48949-00

* Applies to all warranties

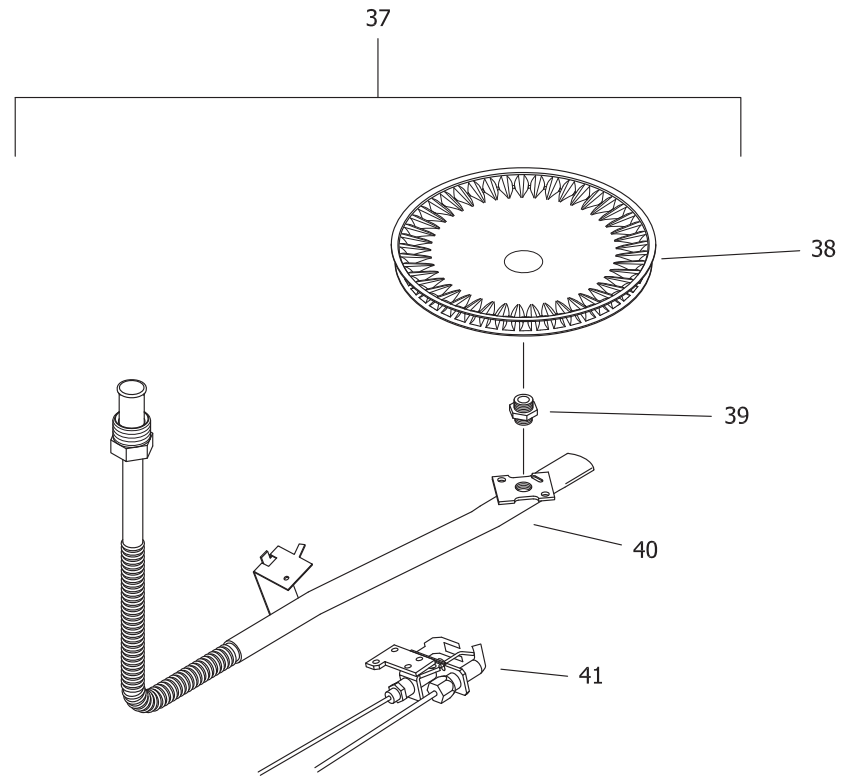
Anode may need to be cut to length

▲ Order with item 9

▲▲ Order with item 12



NATURAL GAS (BN) BURNER ASSEMBLY



LP GAS (SX) BURNER ASSEMBLY

LP GAS (SX) BURNER ASSEMBLY TO REPLACE LP GAS (CX) BURNER ASSEMBLY

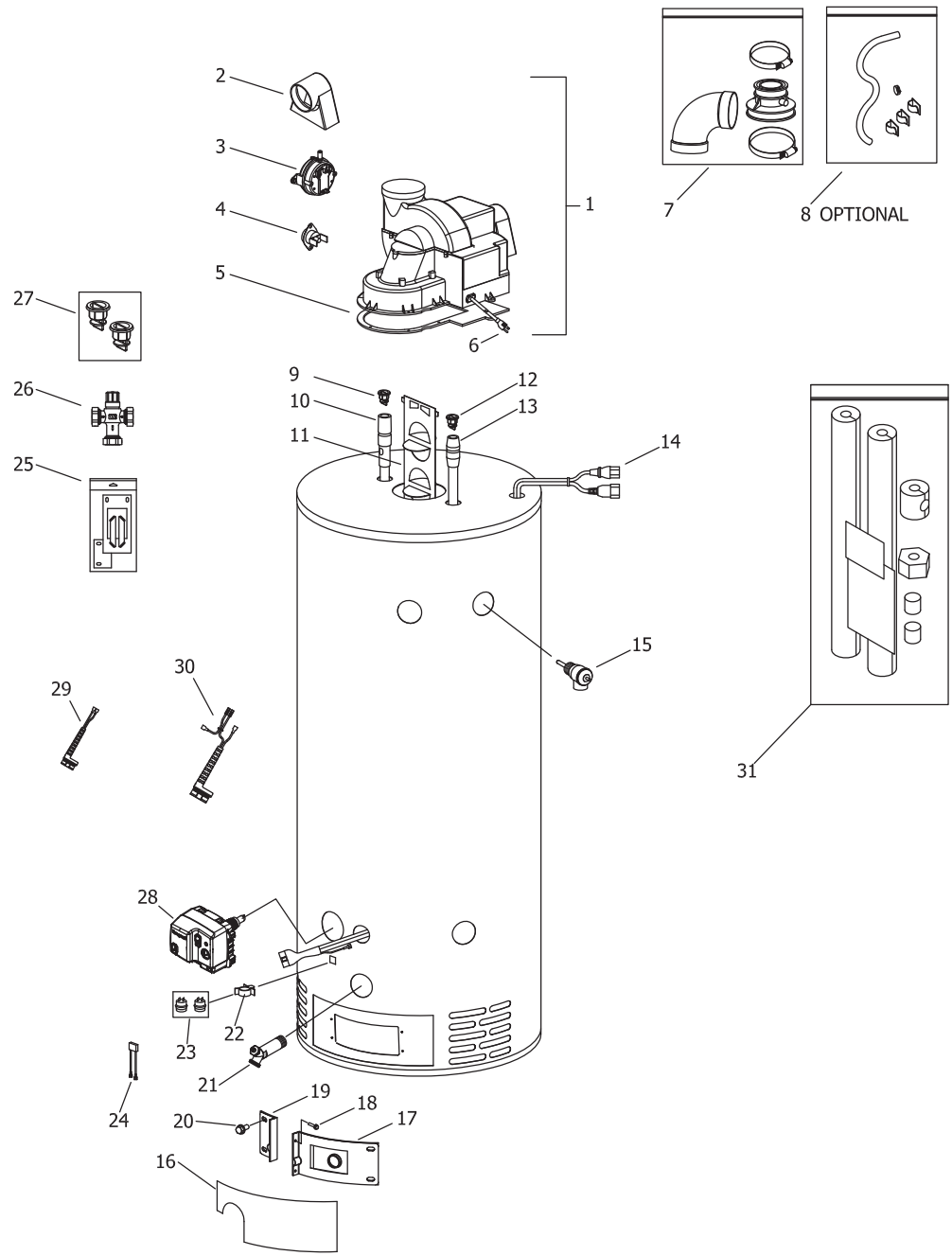
Item Description	Model RG1PV40S*(N,X)	Model RG1PV50S*(N,X)	Model RG2PV40T*(N,X)	Model RG2PV50T*(N,X)
Natural Gas Burner Assembly				
32 Nat Gas Burner Assembly Complete***	265-47439-06-32	265-47439-09-32	265-47439-06-32	265-47439-09-32
33 Nat. Gas (N) Burner**	228-42506-00	228-42506-00	228-42506-00	228-42506-00
34 Nat. Gas (N) Main Burner Orifice 0 Ft. to 2,000 Ft. **	234-41034-32	234-41034-32	234-41034-32	234-41034-32
Nat. Gas (N) High Altitude 2,001 to 7,000 Ft. (-475 model suffixes) **	234-41034-36	234-41034-36	234-41034-36	234-41034-36
Nat. Gas (N) High Altitude Kit (7,001 Ft. to 10,000 Ft.)	265-51380-04-40	265-51380-04-40	265-51380-07-40	265-51380-07-40
35 Nat. Gas Feedline	233-47431-03	233-47431-04	233-47431-03	233-47431-04
36 Nat. Gas Pilot Assembly**	415-45653-05	415-45653-05	415-45653-05	415-45653-05
LP Gas Burner Assembly				
37 LP Gas Burner Assembly Complete***	265-47440-09-50	265-47440-15-50	265-47440-09-50	265-47440-15-50
38 LP Gas (X) Burner**	228-46964-00	228-46964-00	228-46964-00	228-46964-00
39 LP Gas (X) Main Burner Orifice 0 Ft. to 2,000 Ft. **	234-47064-50	234-47064-50	234-47064-50	234-47064-50
LP Gas (X) High Altitude Orifice 2,001 Ft. to 7,000 Ft. (-475 model suffixes) **	234-47064-52	234-47064-52	234-47064-52	234-47064-52
LP Gas (X) High Altitude Orifice Kit 7,001 Ft. to 10,000 Ft.	265-51433-06-53	265-51433-06-53	265-51433-07-53	265-51433-07-53
40 LP Feedline	233-47432-03	233-47432-03	233-47432-03	233-47432-03
41 LP Gas Pilot Assembly**	415-45653-04	415-45653-04	415-45653-04	415-45653-04
LP to Nat. Gas Conversion Kit (Norm Alt.) 0 Ft. to 2,000 Ft.	265-46493-02	265-46493-06	265-46493-83	265-46493-68
LP to Nat. Gas Conversion Kit (High Alt.) 2,001 Ft. to 7,000 Ft. (-475 model suffixes)	265-46493-96	265-46493-97	265-46493-98	265-46493-99

* Applies to all warranties.

** Inner door gasket kit recommended.

*** Ordering a complete burner assembly may increase delivery time. Please order the specific component required for the quickest delivery.

Anode may need to be cut to length.



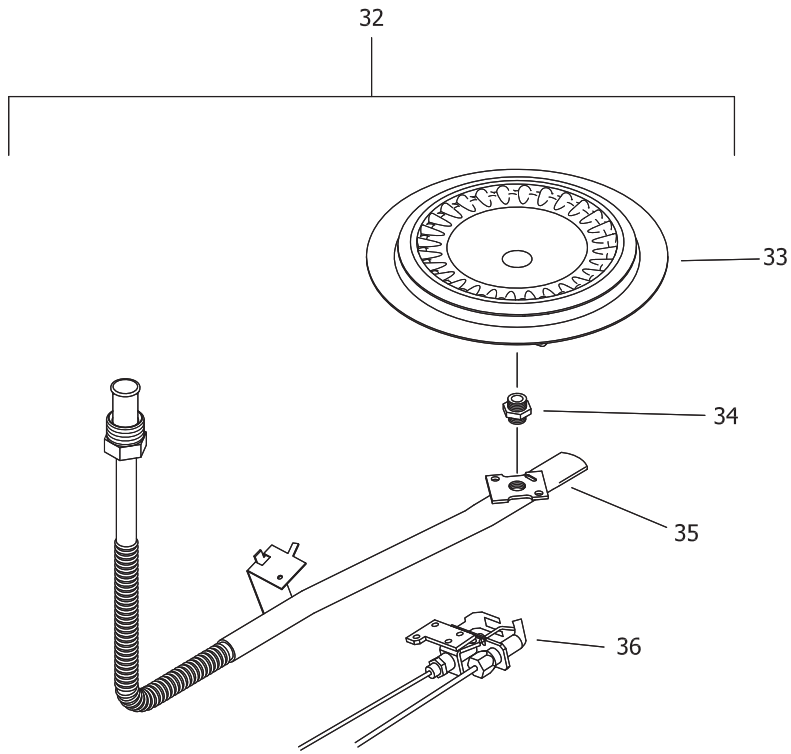
Item Description	Model	Model
	RG2PV40S*(N,X)	RG2PV50S*(N,X)
1 Blower Complete	415-45584-00	415-45584-00
Universal SVC Blower Kit	415-47200-00	415-47200-00
Blower Complete High Altitude	239-45987-00	239-45987-00
2 Air Mixing Inlet	239-45868-00	239-45868-00
3 Pressure Switch	415-45867-01	415-45867-01
Pressure Switch High Altitude	415-45867-03	415-45867-03
4 Blower Temperature Switch	239-48752-00	239-48752-00
5 Blower Gasket	239-45866-00	239-45866-00
6 Blower Power Cord	239-44466-00	239-44466-00
7 2" Exhaust Adaptor w/Vent Terminal	239-46263-00	239-46263-00
8 Condensate Hose Kit (Optional)	239-45875-00	239-45875-00
9 Heat Trap Insert (Outlet)	239-45167-00	239-45167-00
10 Hot Water Outlet Anode (Magnesium)▲#	224-47776-19	224-47776-19
Hot Water Outlet (Aluminum)#	224-32999-28	224-32999-28
Hot Water Outlet (A420 Aluminum)▲#	224-49560-10	224-49560-10
11 Flue Baffle	243-45372-00	243-45372-00
12 Heat Trap Insert (Inlet)	239-51556-00	239-51556-00
13 Cold Water Inlet Dip Tube ▲▲	229-51230-25	229-51230-25
14 Safety Circuit Wire Harness	239-45617-03	239-45617-03
15 T&P Relief Valve	230-40594-02	230-40594-02
16 Outer Door	243-43962-00	243-43962-00
17 Right Side Inner Door Complete w/Gasket	239-45642-18	239-45642-20
18 Screw-#8-15 x 3/4 HWH	239-44195-00	239-44195-00
19 Left Side Inner Door Complete w/Gasket	239-43968-18	239-43968-20
20 Screw-#10-12 x 3/4 HWH	239-52581-00	239-52581-00
21 Brass Drain Valve	265-42351-02	265-42351-02
22 Flammable Vapor Sensor Clip Kit (2 pcs)	265-45648-00	265-45648-00
23 Flammable Vapor Sensor	415-45560-00	415-45560-00
24 Flammable Vapor Sensor Harness	239-49791-00	239-49791-00
25 Inner Door Gasket Kit	239-44078-00	239-44078-00
26 ASSE Approved Mixing Valve (Optional)	239-51778-00	239-51778-00
27 Kit-Heat Trap Insert	265-51572-00	265-51572-00
28 Gas Valve Natural Gas	239-48795-02	239-48795-02
Gas Valve LP Gas	239-48796-02	239-48796-02
29 Flammable Vapor Sensor Harness	239-49791-00	239-49791-00
30 FV Sensor and Thermal Switch Harness	239-50066-00	239-50066-00
31 Insulation Kit	239-48949-00	239-48949-00

* Applies to all warranties

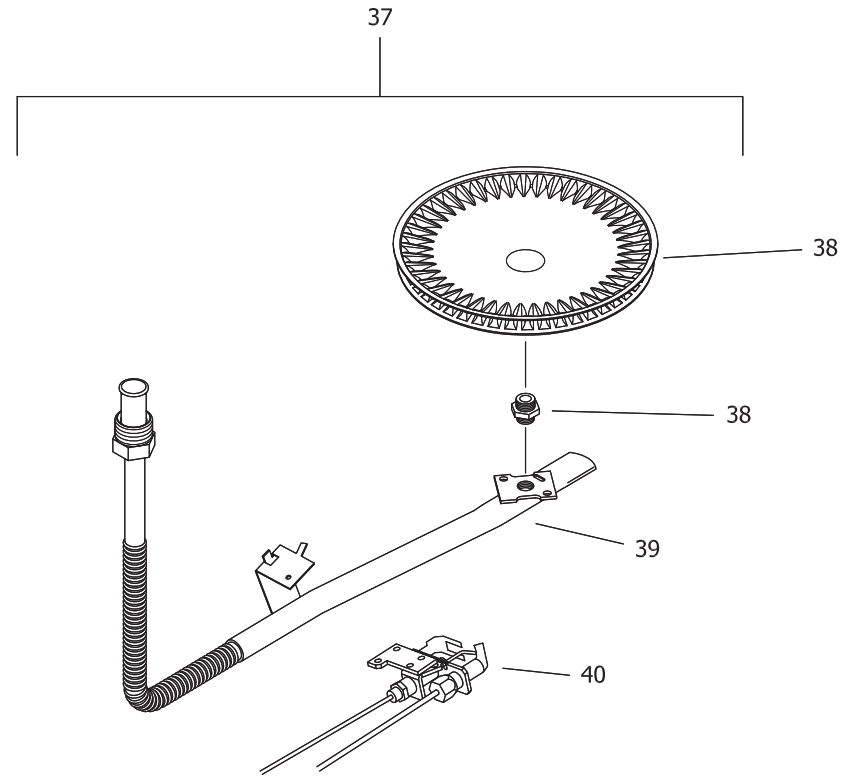
Anode may need to be cut to length

▲ Order with item 9

▲▲ Order with item 12



NATURAL GAS (BN) BURNER ASSEMBLY



LP GAS (SX) BURNER ASSEMBLY

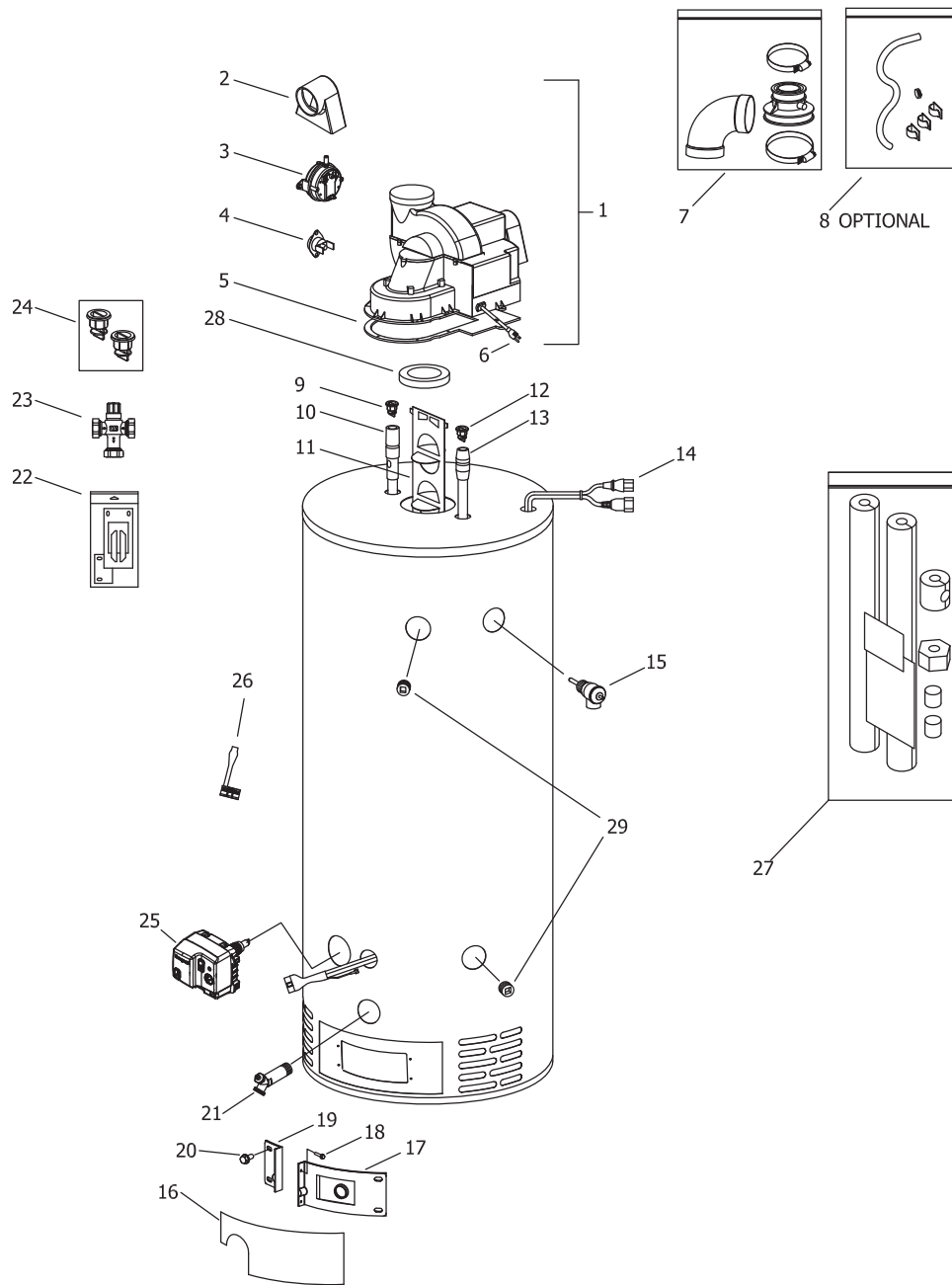
LP GAS (SX) BURNER ASSEMBLY TO REPLACE LP GAS (CX) BURNER ASSEMBLY

Item Description	Model	Model
	RG2PV40S*(N,X)	RG2PV50S*(N,X)
Natural Gas Burner Assembly		
32 Nat Gas Burner Assembly Complete***	265-47439-09-32	265-47439-09-32
33 Nat. Gas (N) Burner**	228-42506-00	228-42506-00
34 Nat. Gas (N) Main Burner Orifice 0 Ft. to 2,000 Ft. **	234-41034-32	234-41034-32
Nat. Gas (N) High Altitude 2,001 to 7,000 Ft. (-475 model suffixes) **	234-41034-36	234-41034-36
Nat. Gas (N) High Altitude Kit (7,001 Ft. to 10,000 Ft.)	265-51380-04-40	265-51380-04-40
35 Nat. Gas Feedline	233-47431-04	233-47431-04
36 Nat. Gas Pilot Assembly**	415-45653-05	415-45653-05
LP Gas Burner Assembly		
37 LP Gas Burner Assembly Complete***	265-47440-09-50	265-47440-15-50
38 LP Gas (X) Burner**	228-46964-00	228-46964-00
39 LP Gas (X) Main Burner Orifice 0 Ft. to 2,000 Ft. **	234-47064-50	234-47064-50
LP Gas (X) High Altitude Orifice 2,001 Ft. to 7,000 Ft. (-475 model suffixes) **	234-47064-52	234-47064-52
LP Gas (X) High Altitude Orifice Kit 7,001 Ft. to 10,000 Ft.	265-51433-06-53	265-51433-06-53
40 LP Feedline	233-47432-03	233-47432-03
41 LP Gas Pilot Assembly**	415-45653-04	415-45653-04
LP to Nat. Gas Conversion Kit (Norm Alt.) 0 Ft. to 2,000 Ft.	265-46493-68	265-46493-87
LP to Nat. Gas Conversion Kit (High Alt.) 2,001 Ft. to 7,000 Ft. (-475 model suffixes)	265-46493-109	265-46493-72

* Applies to all warranties.

** Inner door gasket kit recommended.

*** Ordering a complete burner assembly may increase delivery time. Please order the specific component required for the quickest delivery.



Item Description	Model	Model
	RG2PV75H*(N,X)◆	LG2PV75H76*(N,X)◆
1 Blower Complete	415-45583-00	415-45583-00
Blower Complete High Altitude	239-45986-00	239-45986-00
2 Air Mixing Inlet	239-45868-00	239-45868-00
3 Pressure Switch	415-45867-02	415-45867-02
Pressure Switch High Altitude	239-45867-04	239-45867-04
4 Blower Temperature Switch	239-48752-00	239-48752-00
5 Blower Gasket	239-45866-00	239-45866-00
6 Blower Power Cord	239-44466-00	239-44466-00
7 3" Exhaust Adaptor w/Vent Terminal	239-46264-00	239-46264-00
8 Condensate Hose Kit (Optional)	239-45875-00	239-45875-00
9 Heat Trap Insert (Outlet)	239-45167-00	239-45167-00
10 Hot Water Outlet Anode (Magnesium)▲#	224-47776-19	224-47776-19
Hot Water Outlet (Aluminum)▲#	224-32999-28	224-32999-28
Hot Water Outlet (A420 Aluminum)▲#	224-49560-10	224-49560-10
11 Flue Baffle	239-45373-00	239-45373-00
12 Heat Trap Insert (Inlet)	239-51556-00	239-51556-00
13 Cold Water Inlet Dip Tube ▲▲	229-51230-20	229-51230-29
14 Safety Circuit Wire Harness	239-45617-02	239-45617-02
15 T&P Relief Valve	230-40594-02	230-40594-02
16 Outer Door	243-43962-00	243-43962-00
17 Right Side Inner Door Complete w/Gasket	239-47504-22	239-47504-22
18 Screw-#8-15 x 3/4 HWH	239-44195-00	239-44195-00
19 Left Side Inner Door Complete w/Gasket	239-43968-20	239-43968-20
20 Screw-#10-12 x 3/4 HWH	239-52581-00	239-52581-00
21 Brass Drain Valve	265-42351-02	265-42351-02
22 Inner Door Gasket Kit	239-47792-00	239-47792-00
23 ASSE Approved Mixing Valve (Optional)	239-51778-00	239-51778-00
24 Kit-Heat Trap Insert	265-51572-00	265-51572-00
25 Gas Valve Natural Gas	239-48795-02	239-48795-04
Gas Valve LP Gas	239-48796-02	239-48796-04
26 Simulated Resistive Device Harness	239-49817-00	239-49817-00
27 Insulation Kit	239-48949-00	239-48949-00
28 Flue Reducer	243-42572-00	243-42572-00
29 3/4" NPT Pipe Plug	239-11638-00	239-11638-00

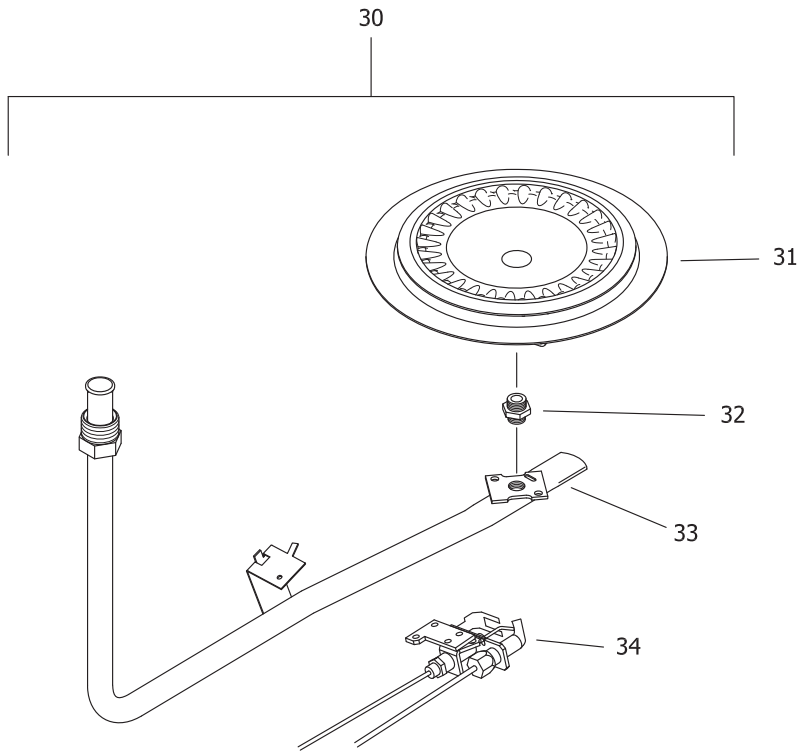
* Applies to all warranties

Anode may need to be cut to length

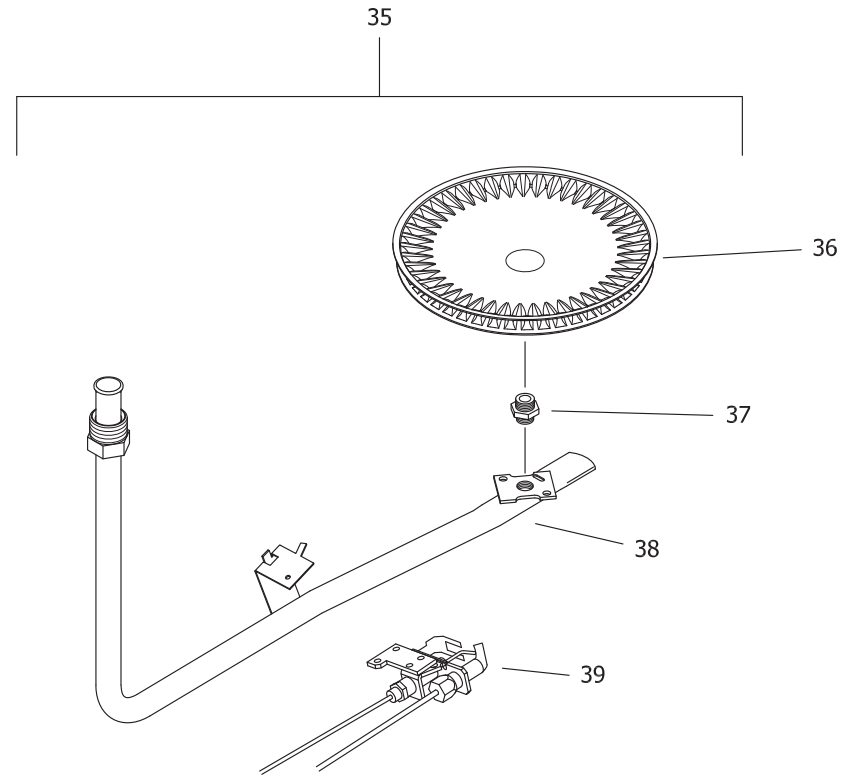
▲ Order with item 9

▲▲ Order with item 12

◆ (R,L)G2PV75H and (R,L)G1PV55H models are not flammable vapor compliant.



NATURAL GAS (BN) BURNER ASSEMBLY



LP GAS (SX) BURNER ASSEMBLY

LP GAS (SX) BURNER ASSEMBLY TO REPLACE LP GAS (CX) BURNER ASSEMBLY

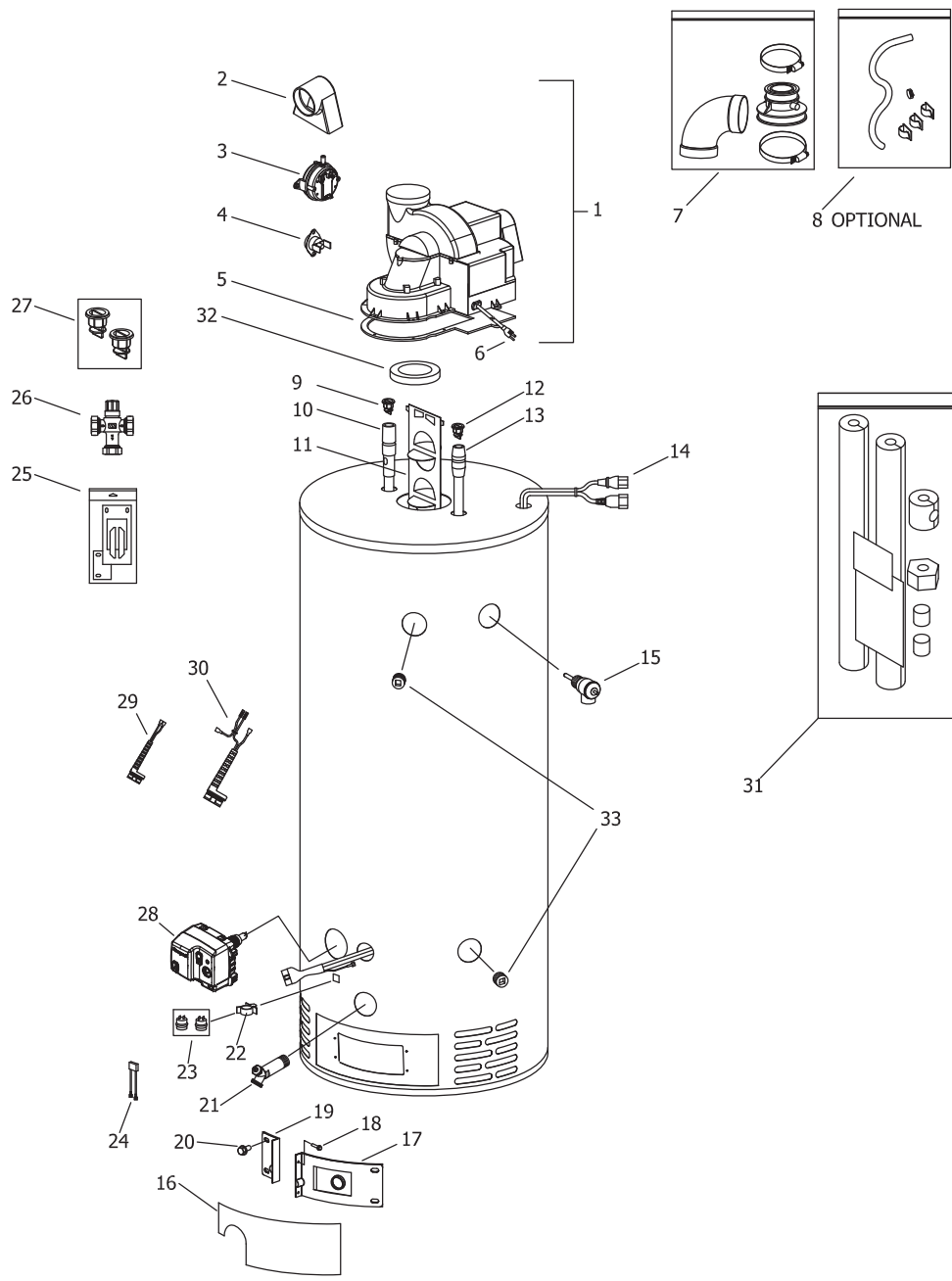
Item Description	Model	Model
	RG2PV75H*(N,X)♦	LG2PV75H76*(N,X)♦
Natural Gas Burner Assembly		
30 Nat Gas Burner Assembly Complete***	265-47785-01-21	265-47785-01-21
31 Nat. Gas (N) Burner**	228-47000-00	228-47000-00
32 Nat. Gas (N) Main Burner Orifice 0 Ft. to 2,000 Ft. **	234-41034-21	234-41034-21
Nat. Gas (N) High Altitude 0 to 7000 Ft. (-475 model suffixes) **	234-41034-27	234-41034-27
Nat. Gas (N) High Altitude Kit (7,001 Ft. to 10,000 Ft.)	265-51380-01-29	265-51380-01-29
33 Nat. Gas Feedline	233-47374-04	233-47374-04
34 Nat. Gas Pilot Assembly**	415-45653-05	415-45653-05
LP Gas Burner Assembly		
35 LP Gas Burner Assembly Complete***	265-47377-01-40	265-47377-01-40
36 LP Gas (X) Burner**	228-46938-00	228-46938-00
37 LP Gas (X) Main Burner Orifice 0 Ft. to 2,000 Ft. **	234-47064-40	234-47064-40
LP Gas (X) High Altitude Orifice 2,001 Ft. to 7,000 Ft. (-475 model suffixes) **	234-47064-43	234-47064-43
LP Gas (X) High Altitude Orifice Kit 7,001 Ft. to 10,000 Ft.	265-51433-02-45	265-51433-02-45
38 LP Feedline	233-47672-04	233-47672-04
39 LP Gas Pilot Assembly**	415-45653-04	415-45653-04
LP to Nat. Gas Conversion Kit (Norm Alt.) 0 Ft. to 2,000 Ft.	265-46493-106	265-46493-107
LP to Nat. Gas Conversion Kit (High Alt.) 2,001 Ft. to 7,000 Ft. (-475 model suffixes)	265-46493-101	265-46493-100

* Applies to all warranties.

** Inner door gasket kit recommended.

*** Ordering a complete burner assembly may increase delivery time. Please order the specific component required for the quickest delivery.

♦ (R,L)G2PV75H and (R,L)G1PV55H models are not flammable vapor compliant.



Item Description	Model	Model
	RG1PV55H*(N,X)◆	LG1PV55H78*(N,X)◆
1 Blower Complete	239-47659-00	239-47659-00
Blower Complete High Altitude	243-47660-00	243-47660-00
2 Air Mixing Inlet	239-45868-00	239-45868-00
3 Pressure Switch	415-47815-03	415-47815-03
Pressure Switch High Altitude	415-47815-04	415-47815-04
4 Blower Temperature Switch	239-48752-00	239-48752-00
5 Blower Gasket	239-45866-00	239-45866-00
6 Blower Power Cord	239-44466-00	239-44466-00
7 3" Exhaust Adaptor w/Vent Terminal	239-46264-00	239-46264-00
8 Condensate Hose Kit (Optional)	239-45875-00	239-45875-00
9 Heat Trap Insert (Outlet)	239-45167-00	239-45167-00
10 Hot Water Outlet Anode (Magnesium)▲#	224-47776-19	224-47776-19
Hot Water Outlet (Aluminum)▲#	224-32999-28	224-32999-28
Hot Water Outlet (A420 Aluminum)▲#	224-49560-10	224-49560-10
11 Flue Baffle	243-48689-00	243-48689-00
12 Heat Trap Insert (Inlet)	239-45167-00	239-45167-00
13 Cold Water Inlet Dip Tube (PEX)▲▲	229-45092-07	229-45092-07
14 Safety Circuit Wire Harness	239-45617-02	239-45617-02
15 T&P Relief Valve	230-40594-01	230-40594-01
16 Outer Door	243-43967-00	243-43967-00
17 Right Side Inner Door Complete w/Gasket	239-45642-20	239-45642-20
18 Screw-#8-15 x 3/4 HWH	239-44195-00	239-44195-00
19 Left Side Inner Door Complete w/Gasket	239-43968-20	239-43968-20
20 Screw-#10-12 x 3/4 HWH	239-52581-00	239-52581-00
21 Brass Drain Valve	265-42351-02	265-42351-02
22 Flammable Vapor Sensor Clip	239-45648-00	239-45648-00
23 Flammable Vapor Sensor	415-45560-00	415-45560-00
24 Flammable Vapor Sensor Harness	239-45620-00	239-45620-00
25 Inner Door Gasket Kit	239-44078-00	239-44078-00
26 ASSE Approved Mixing Valve (Optional)	239-51778-00	239-51778-00
27 Kit-Heat Trap Insert	265-51572-00	265-51572-00
28 Gas Valve Natural Gas	239-48795-03	239-48795-03
Gas Valve LP Gas	239-48796-03	239-48796-03
29 Flammable Vapor Sensor Harness	239-49791-00	239-49791-00
30 FV Sensor and Thermal Switch Harness	239-50066-00	239-50066-00
31 Insulation Kit	239-48949-00	239-48949-00
32 Flue Reducer	243-42572-00	243-42572-00
33 3/4" NPT Pipe Plug	239-11638-00	239-11638-00

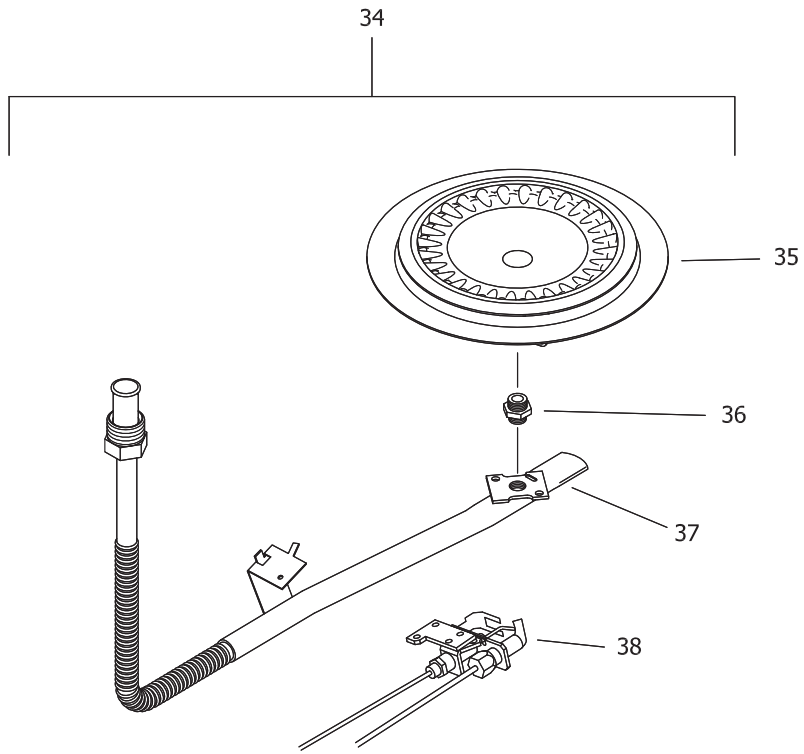
* Applies to all warranties

Anode may need to be cut to length

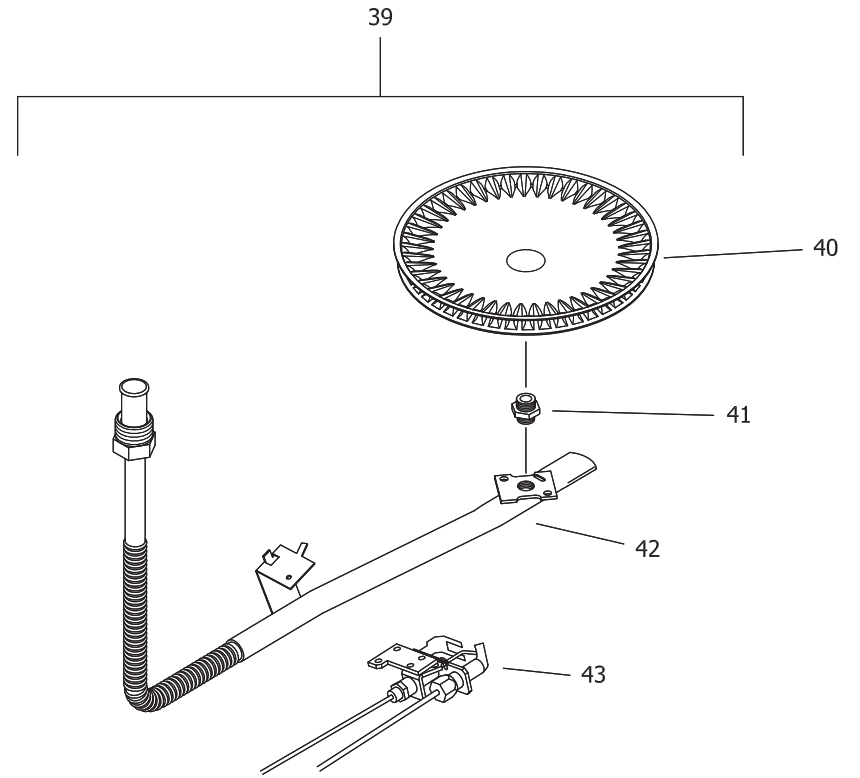
▲ Order with item 9

▲▲ Order with item 12

◆ (R,L)G2PV75H and (R,L)G1PV55H models are not flammable vapor compliant.



NATURAL GAS (BN) BURNER ASSEMBLY



LP GAS (SX) BURNER ASSEMBLY

LP GAS (SX) BURNER ASSEMBLY TO REPLACE LP GAS (CX) BURNER ASSEMBLY

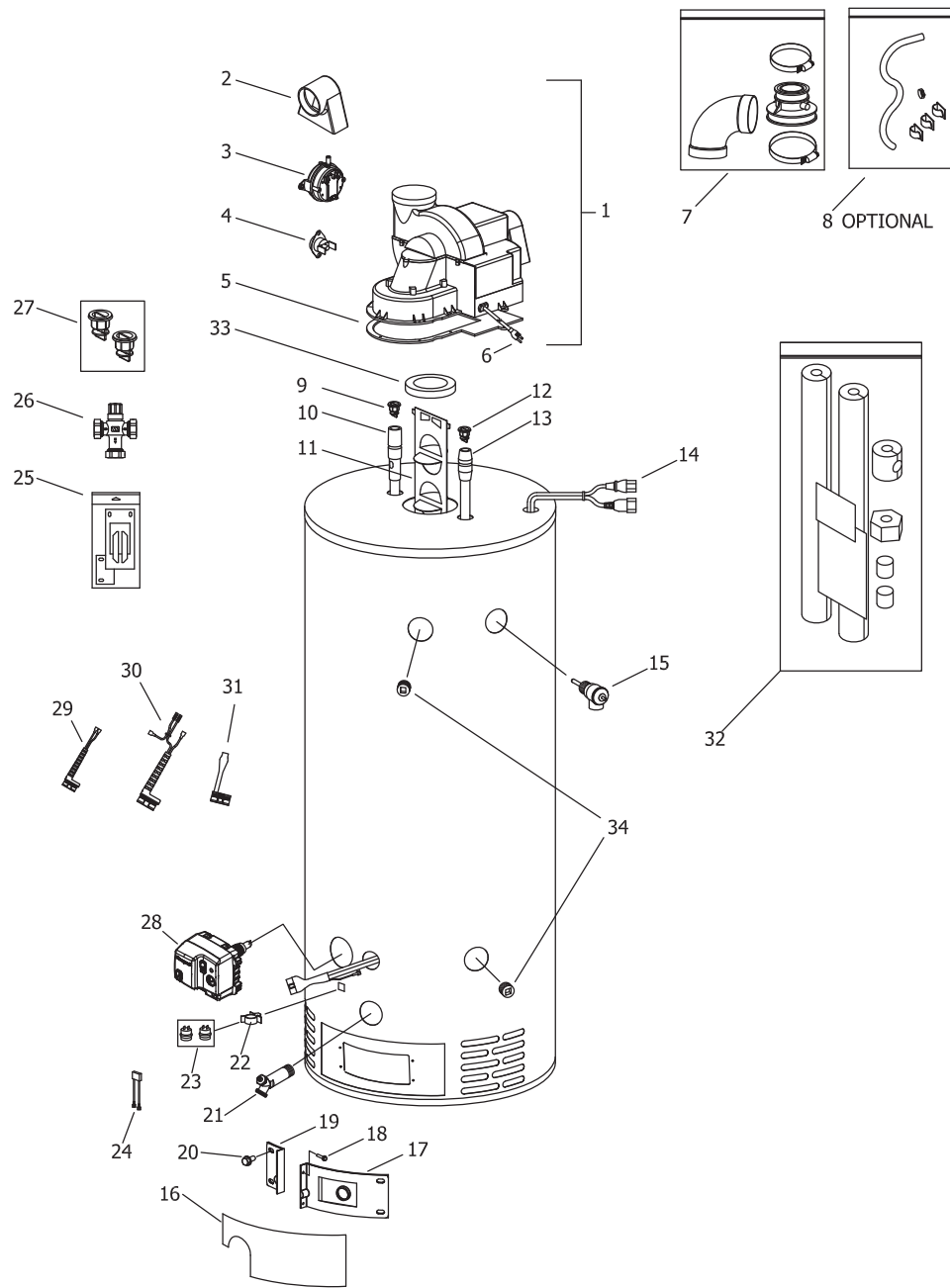
Item Description	Model	Model
	RG1PV55H*(N,X)◆	LG1PV55H78*(N,X)◆
Natural Gas Burner Assembly		
34 Nat Gas Burner Assembly Complete***	265-47439-15-24	265-47439-15-24
35 Nat. Gas (N) Burner**	228-47000-00	228-47000-00
36 Nat. Gas (N) Main Burner Orifice 0 Ft. to 2,000 Ft. **	234-41034-24	234-41034-24
Nat. Gas (N) High Altitude 2,001 to 7,000 Ft. (-475 model suffixes) **	234-41034-25	234-41034-25
Nat. Gas (N) High Altitude Kit (7,001 Ft. to 10,000 Ft.)	265-51380-05-30	265-51380-05-30
37 Nat. Gas (N) Feedline	233-47431-04	233-47431-04
38 Nat. Gas Pilot Assembly**	415-45653-05	415-45653-05
LP Gas Burner Assembly		
39 LP Gas Burner Assembly Complete***	265-47440-10-40	265-47440-10-40
40 LP Gas (X) Burner**	228-46938-00	228-46938-00
41 LP Gas (X) Main Burner Orifice 0 Ft. to 2,000 Ft. **	234-47064-40	234-47064-40
LP Gas (X) High Altitude Orifice 2,001 Ft. to 7,000 Ft. (-475 model suffixes) **	234-47064-43	234-47064-43
LP Gas (X) High Altitude Orifice Kit 7,001 Ft. to 10,000 Ft.	265-51433-03-45	265-51433-03-45
42 LP Gas (X) Feedline	233-47432-03	233-47432-03
43 LP Gas Pilot Assembly**	415-45653-04	415-45653-04
LP to Nat. Gas Conversion Kit (Norm Alt.) 0 Ft. to 2,000 Ft.	265-46493-102	265-46493-102
LP to Nat. Gas Conversion Kit (High Alt.) 2,001 Ft. to 7,000 Ft. (-475 model suffixes)	265-46493-103	265-46493-103

* Applies to all warranties.

** Inner door gasket kit recommended.

*** Ordering a complete burner assembly may increase delivery time. Please order the specific component required for the quickest delivery.

◆ (R,L)G2PV75H and (R,L)G1PV55H models are not flammable vapor compliant.



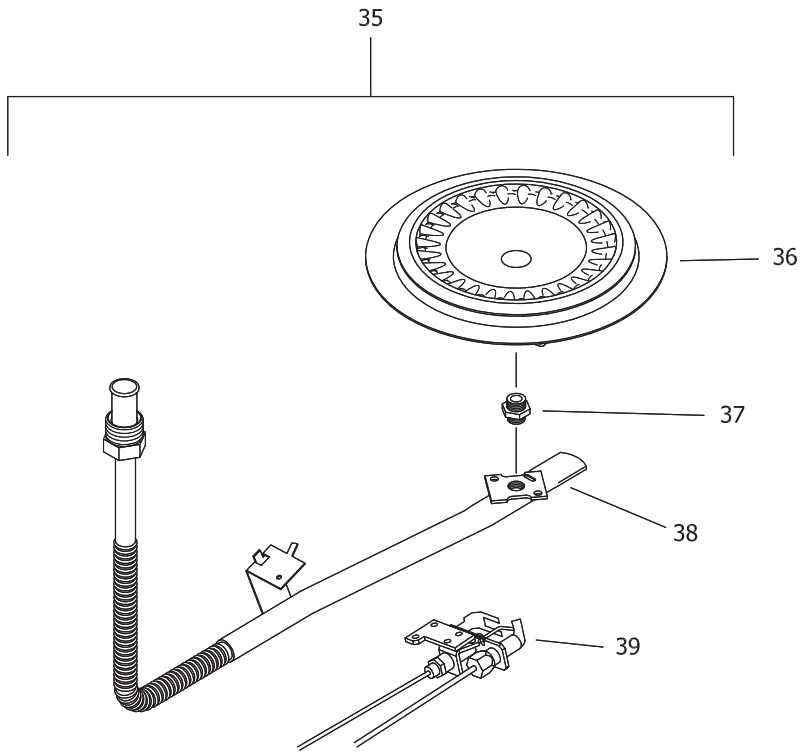
Item Description	Model	Model
	RG2PV50H*(N,X)	LG2PV50H65*(N,X)
1 Blower Complete	265-48861-00	415-48861-00
Blower Complete High Altitude	265-49227-00	243-48686-00
2 Air Mixing Inlet	239-45868-00	239-45868-00
3 Pressure Switch	415-45867-02	415-45867-02
Pressure Switch High Altitude	239-45867-04	239-45867-04
4 Blower Temperature Switch	239-48752-00	239-48752-00
5 Blower Gasket	239-45866-00	239-45866-00
6 Blower Power Cord	239-44466-00	239-44466-00
7 3" Exhaust Adaptor w/Vent Terminal	239-46264-00	239-46264-00
8 Condensate Hose Kit (Optional)	239-45875-00	239-45875-00
9 Heat Trap Insert (Outlet)	239-45167-00	239-45167-00
10 Hot Water Outlet Anode (Magnesium)▲#	224-47776-19	224-47776-19
Hot Water Outlet (Aluminum)▲#	224-32999-28	224-32999-28
Hot Water Outlet (A420 Aluminum)▲#	224-49560-10	224-49560-10
11 Flue Baffle	243-48689-00	243-48689-00
12 Heat Trap Insert (Inlet)	239-51556-00	239-45167-00
13 Cold Water Inlet Dip Tube (PEX)▲▲	229-51230-20	229-45092-08
14 Safety Circuit Wire Harness	239-45617-02	239-45617-02
15 T&P Relief Valve	230-40594-02	230-40594-02
16 Outer Door	243-43962-00	243-43962-00
17 Right Side Inner Door Complete w/Gasket	239-45642-18	239-45642-18
18 Screw-#8-15 x 3/4 HWH	239-44195-00	239-44195-00
19 Left Side Inner Door Complete w/Gasket	239-43968-18	239-43968-18
20 Screw-#10-12 x 3/4 HWH	239-52581-00	239-52581-00
21 Brass Drain Valve	265-42351-02	265-42351-02
22 Flammable Vapor Sensor Clip	239-45648-00	239-45648-00
23 Flammable Vapor Sensor	415-45560-00	415-45560-00
24 Flammable Vapor Sensor Harness	239-45620-00	239-45620-00
25 Inner Door Gasket Kit	239-44078-00	239-44078-00
26 ASSE Approved Mixing Valve (Optional)	239-51778-00	239-51778-00
27 Kit-Heat Trap Insert	265-51572-00	---
28 Gas Valve Natural Gas	239-48795-02	239-48795-04
Gas Valve LP Gas	239-48796-02	239-48796-04
29 Flammable Vapor Sensor Harness	239-49791-00	239-49791-00
30 FV Sensor and Thermal Switch Harness	239-50066-00	239-50066-00
31 Simulated Resistive Device Harness	239-49817-00	---
32 Insulation Kit	239-48949-00	239-48949-00
33 Flue Reducer	239-48802-00	243-42572-00
34 3/4" NPT Pipe Plug	239-11638-00	239-11638-00

* Applies to all warranties

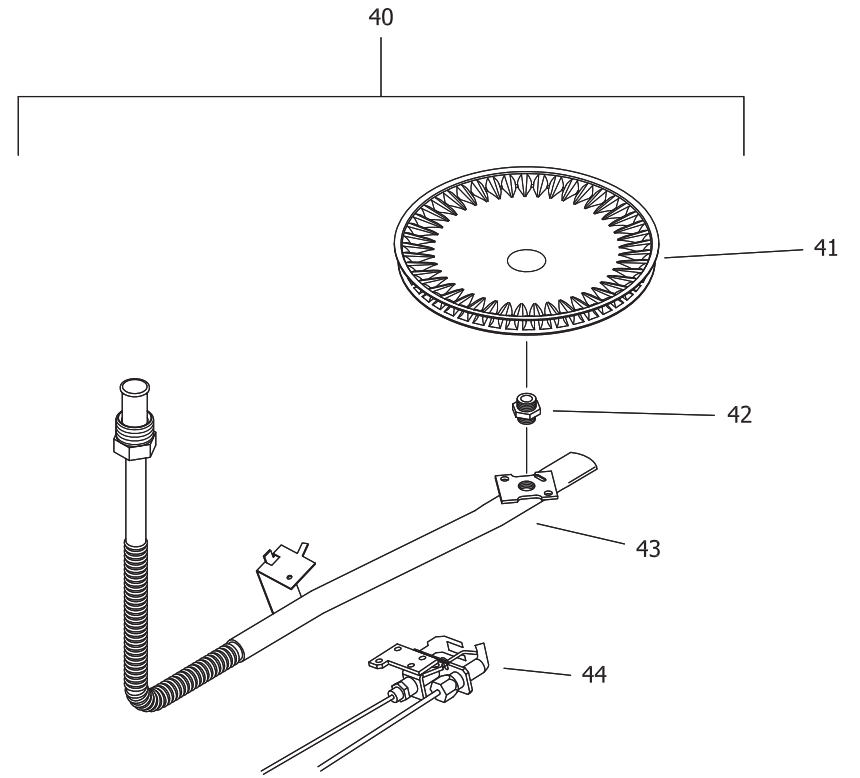
Anode may need to be cut to length

▲ Order with item 9

▲▲ Order with item 12



NATURAL GAS (BN) BURNER ASSEMBLY



LP GAS (SX) BURNER ASSEMBLY

LP GAS (SX) BURNER ASSEMBLY TO REPLACE LP GAS (CX) BURNER ASSEMBLY

Item Description	Model	Model
	RG2PV50H*(N,X)	LG2PV50H65*(N,X)
Natural Gas Burner Assembly		
35 Nat Gas Burner Assembly Complete***	265-47439-06-27	265-47439-06-27
36 Nat. Gas (N) Burner**	228-42506-00	228-42506-00
37 Nat. Gas (N) Main Burner Orifice 0 Ft. to 2,000 Ft. **	234-41034-27	234-41034-27
Nat. Gas (N) High Altitude 2,001 to 7,000 Ft. (-475 model suffixes) **	234-41034-30	234-41034-30
Nat. Gas (N) High Altitude Kit (7,001 Ft. to 10,000 Ft.)	265-51380-04-31	265-51380-04-31
38 Nat. Gas (N) Feedline	233-47431-04	233-47431-04
39 Nat. Gas Pilot Assembly**	415-45653-05	415-45653-05
LP Gas Burner Assembly		
40 LP Gas Burner Assembly Complete***	265-47440-10-44	265-47440-10-44
41 LP Gas (X) Burner**	228-47000-00	228-47000-00
42 LP Gas (X) Main Burner Orifice 0 Ft. to 2,000 Ft. **	234-47064-44	234-47064-44
LP Gas (X) High Altitude Orifice 2,001 Ft. to 7,000 Ft. (-475 model suffixes) **	234-47064-47	234-47064-47
LP Gas (X) High Altitude Orifice Kit 7,001 Ft. to 10,000 Ft.	265-51433-06-49	265-51433-06-49
43 LP Gas (X) Feedline	233-47432-03	233-47432-03
44 LP Gas Pilot Assembly**	415-45653-04	415-45653-04
LP to Nat. Gas Conversion Kit (Norm Alt.) 0 Ft. to 2,000 Ft.	265-46493-24	265-46493-33
LP to Nat. Gas Conversion Kit (High Alt.) 2,001 Ft. to 7,000 Ft. (-475 model suffixes)	265-46493-104	265-46493-105

* Applies to all warranties.

** Inner door gasket kit recommended.

*** Ordering a complete burner assembly may increase delivery time. Please order the specific component required for the quickest delivery.

Reference Chart of Anode Length by Model

Model	AOD Anode Cut (End to end)		Hex Head Anode Cut Length (End to end)	
	Inches	Millimeters	Inches	Millimeters
RG2PV50H*(N,X)	47.63	1210	---	---
LG2PV50H65*(N,X)	47.63	1210	---	---
RG1PV55H*(N,X)	44.13	1121	40	1016
LG1PV55H78*(N,X)	44.13	1121	40	1016
RG2PV75H*(N,X)	47.63	1210	---	---
LG2PV75H76*(N,X)	47.63	1210	---	---
RG2PV40S*(N,X)	36.13	918	---	---
RG2PV50S*(N,X)	39.13	994	---	---
RG1PV40S*(N,X)	36.13	918	---	---
RG1PV50S*(N,X)	39.13	994	---	---
RG2PV40T*(N,X)	44.13	1121	---	---
RG2PV50T*(N,X)	44.13	1121	---	---



United States

Sales 800-523-2931

Technical Support 800-334-3393

Email techserv@bradfordwhite.com

Warranty 800-531-2111

Email warranty@bradfordwhite.com

Service Parts 800-538-2020

Email parts@bradfordwhite.com

Canada

Sales & Technical Support 866-690-0961 905-203-0600

Fax 905-636-0666

Warranty bwccwarranty@bradfordwhite.com

Technical Support bwccotech@bradfordwhite.com

Service Parts orders@bradfordwhitecanada.com

Orders ca.orders@bradfordwhite.com

For U.S. and Canada field service,
contact your professional installer or
local Bradford White sales representative.

International

General Contact international@bradfordwhite.com