

Installation / Installation / Instalación

FRMIB12 Metal Fire Resistant Ice Box Using Metal Piping

Ratings: ASTM-E814 - 1 Hour (F), 45 Min (T)
CAN/ULC - S115 1 Hour (F/FH), 45 Min (FT/FTH)
ASTM-E814 - 2 Hour (F), 72 Min (T)
CAN/ULC- S115 2 Hour (F/FH), 2 Hour (FT/FTH)
Firestop Device, Design No. IPS/PV 120-02

1. Wall Construction

- Wood Or Steel Stud
- 1 Hour firewall construction consisting of each stud face being finished with 5/8 gypsum
- 2 Hour firewall construction consisting of each stud face being finished with 2 layers of 5/8 gypsum



2. Box Mounting

- Box should be securely fastened to stud with screws or nails
- Box units cannot be installed back to back within the same wall cavity.

3. Piping Options

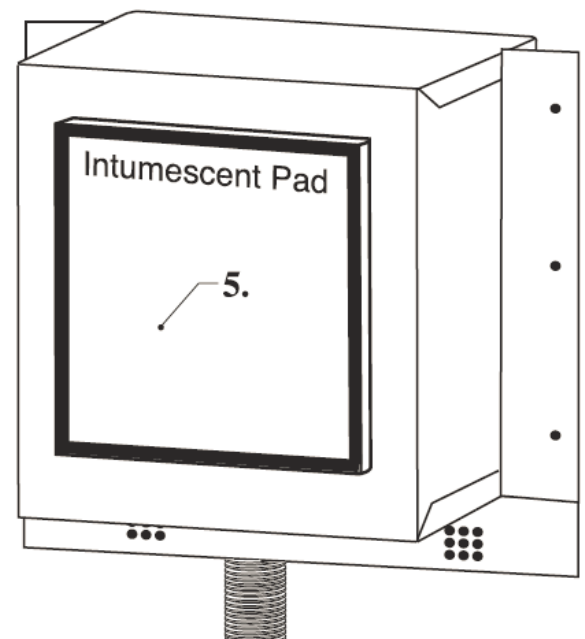
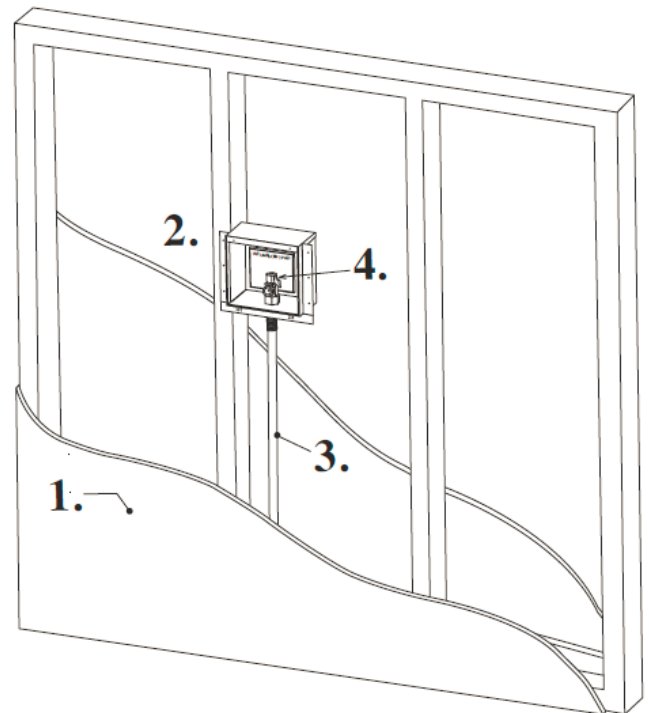
- Supply tubing may be either metallic or plastic

4. Valve Options

- Quarter turn valves with or without hammer arresters

5. Intumescent Pad

- The IPS FR12M Series Metal Ice Box is manufactured from heavy duty steel with a white powder coated finish. It has 2 factory installed intumescent pads (do not remove).
- Gaps between the box and the gypsum may be filled up to 1/2" with dry wall plaster.



Installation / Installation / Instalación

FRMIB12 Metal Fire Resistant Ice Box Using Plastic Piping

Ratings: ASTM-E814 - 1 Hour (F), 1 Hour (T)
CAN/ULC - S115 1 Hour (F/FH), 1 Hour (FT/FTH)
ASTM-E814 - 2 Hour (F), 72 Min (T)
CAN/ULC- S115 2 Hour (F/FH), 90 Min (FT/FTH)
Firestop Device, Design No. IPS/PV 120-02

1. Wall Construction

- Wood Or Steel Stud
- 1 Hour firewall construction consisting of each stud face being finished with 5/8 gypsum
- 2 Hour firewall construction consisting of each stud face being finished with 2 layers of 5/8 gypsum



2. Box Mounting

- Box should be securely fastened to stud with screws or nails
- Box units cannot be installed back to back within the same wall cavity.

3. Piping Options

- Supply tubing may be either metallic or plastic

4. Valve Options

- Quarter turn valves with or without hammer arresters

5. Intumescent Pad

- The IPS FR12M Series Metal Ice Box is manufactured from heavy duty steel with a white powder coated finish. It has 2 factory installed intumescent pads (do not remove).
- Gaps between the box and the gypsum may be filled up to 1/2" with dry wall plaster.

