

# NV51T5511D

SAMSUNG

## 30" Double Wall Oven



### Signature Features

#### 5.1/5.1 cu. ft. Capacity

- Accommodates a roast, multiple casserole dishes, or two full racks of cookies.

#### Digital Touch Controls with Wi-Fi

- Touch Controls offer an integrated and premium design that is easy to clean.

#### Blue Ceramic Interior

- Blue Ceramic enamel interior offers a premium look and feel.

### Available Colors



Stainless Steel (shown)



Fingerprint Resistant  
Black Stainless Steel



Digital Touch Controls



Blue Ceramic Interior

### Features

- 5.1/5.1 cu. ft. Capacity
- Wi-Fi Connectivity
- Glass Touch Controls
- Steam Clean & Self-Clean
- Halogen Lights
- Easy View Window
- 2 Heavy-Duty Racks
- Broil Element
- 6 Rack Positions
- Drop-Down Door Design

### Convenience

- Sabbath Mode
- Hidden Heating Element
- Delay Start
- Child Safety Lock
- Proofing
- Warming Mode
- Kitchen Timer

# NV51T5511D

SAMSUNG

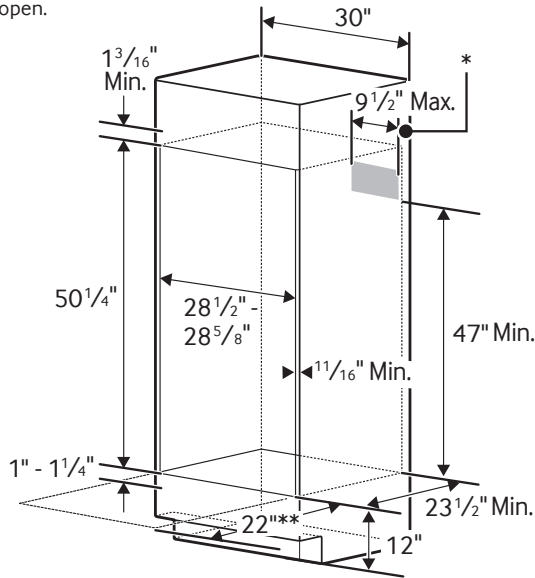
## 30" Double Wall Oven

### Cabinet Dimensions

Double Oven Installed in Cabinet

\*Junction Box

\*\*Allow a minimum of 22" for clearance to adjacent corners, drawers, walls, etc. when door is open.



### Total Capacity: 5.1/5.1 cu. ft.

Upper Oven: 5.1 cu. ft.

Lower Oven: 5.1 cu. ft.

- Hidden Bake Element
- Bake: 175°F–550°F
- Broil: Low-High
- Proofing
- Sabbath Mode

### Warranty

One (1) Year All Parts and Labor

### Product Dimensions & Weight (WxHxD)

Outside (Max) Wall Oven Dimensions: 29<sup>3</sup>/<sub>4</sub>" x 51<sup>1</sup>/<sub>2</sub>" x 26<sup>5</sup>/<sub>8</sub>"

Wall Oven Cut-Out Dimensions: 28<sup>1</sup>/<sub>2</sub>" x 50<sup>1</sup>/<sub>4</sub>" x 23<sup>1</sup>/<sub>2</sub>"

Weight: 236.3 lbs

### Shipping Dimensions & Weight (WxHxD)

Dimensions: 33<sup>11</sup>/<sub>16</sub>" x 56<sup>3</sup>/<sub>8</sub>" x 29<sup>13</sup>/<sub>16</sub>"

Weight: 265.2 lbs

### Color

Stainless Steel

### Model #

NV51T5511DS/AA

### UPC Code

887276384986

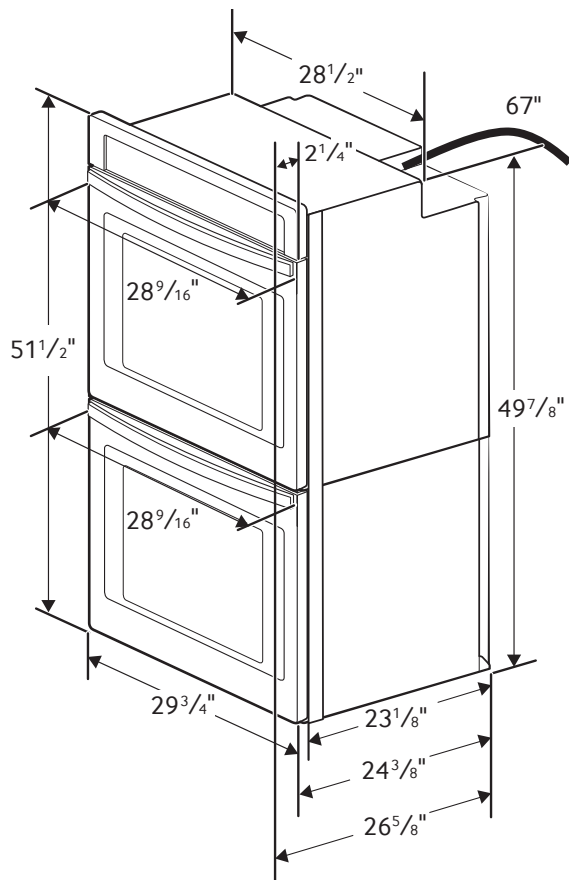
Fingerprint Resistant

Black Stainless Steel

NV51T5511DG/AA

887276384979

### Product Dimensions



| KW RATING    |         |
|--------------|---------|
| 240V         | 8.9 kW  |
| 208V         | 6.7 kW  |
| BREAKER SIZE |         |
| 240V         | 40 Amps |
| 208V         | 40 Amps |

Actual color may vary. Design, specifications, and color availability are subject to change without notice. Non-metric weights and measurements are approximate.

©2020 Samsung Electronics America, Inc. 85 Challenger Road, Ridgefield Park, NJ 07660. Tel: 800-SAMSUNG. samsung.com. Samsung is a registered trademark of Samsung Electronics Co. Ltd.