



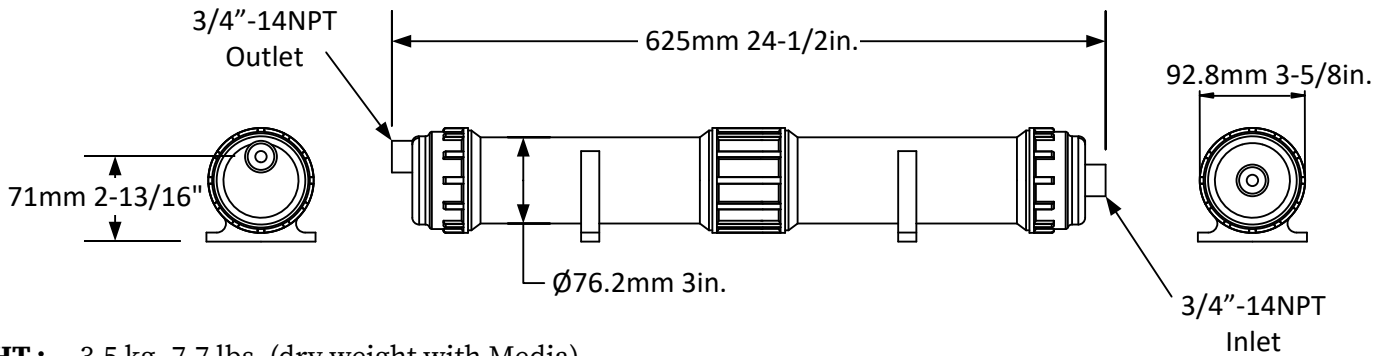
NC-2S Condensate Neutralizer Technical Information

KIT CONTENTS :



No.	Parts Description
A	Four NC Series O-Ring for Canister
B	Two NC Series Union
C	Two 3/4" NPT to 3/4" PVC socket weld
D	Two Base/Wall Mounting Clamps

DIMENSIONS :



WEIGHT : 3.5 kg, 7.7 lbs. (dry weight with Media)

SPECIFICATION :

The condensate neutralization capsule shall be AXIOM INDUSTRIES LTD. model NC-2S. System shall include 2 litre (0.53 U.S. gallon) transparent capsule made from corrosion resistant materials with two 3" fill/access openings, 3" inlet and outlet screen, 3/4"-14NPT threaded inlet, 3/4"-14NPT threaded outlet, two 3/4" MNPT x 3/4" FNPT unions two 3/4" NPT to 3/4" PVC socket weld schedule 40 fittings, two base/wall mounting clamps.

OPTIONAL ACCESSORIES :

2 x NM-1 -- Replacement LipHter⁺ neutralization media (NM-1 x 2 for exact Refill)

NM-1BULK -- Replacement LipHter⁺ neutralization media (Up to 7 Refills)

LIMITED WARRANTY :

The "NC-2S" is warranted against defects in materials and workmanship for one year.



Project

Location

Consultant

Contractor

Unit Tag

Sales Agent